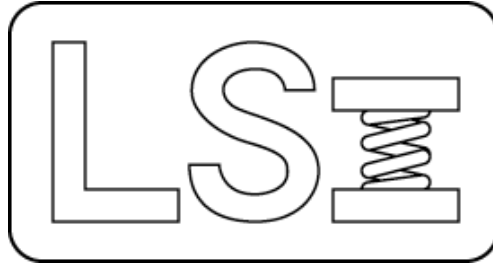


Larson Systems Inc.



SDHT Parts List

050-0000-0046-00

Super Digital Hand Tester – 750 lb





050-0000-0046-00 G
SDHT - 750 lb

Parts List

Rev	By	Date	Description
D	SMH		Changed 025-0000-0283-00 to 025-0000-0280-06, cleared options
E	MDL	11-05-2002	Added 025-6000-0005-00, changed 059-0000-0016-01 to -00
F	DAL	03-18-2003	added 60-2000-0010-07
G	MDL	07-14-2004	Changed 025-1000-0280-02 to 025-1000-0396-00 and referenced it instead of calling quantity.

Item	Qty	Part Number	Rev	Part Name	PCB Location	Part Length
1	ref	025-1000-0396-00		Power Supply, 100-240 VAC 50-60 Hz (USA Plug)		in.
2	1	025-0000-0280-06	R	Lower Assembly SDHT 750 lb		in.
3	1	025-0000-0185-02	Q	Upper Assembly 11" SDHT		in.
4	1	060-1000-0034-00	J	User Manual - SDHT / SDHT 2000		in.
5	1	060-0000-0074-00	A	Tester Packet Forms		in.
6	1	059-0000-0016-00	E	Hand Tester Shipping Box & Materials		in.
7	1	025-6000-0005-00	C	Sticker Assembly - SDHT		in.
8	1	060-2000-0010-07		Parts List - SDHT 750 lb		in.

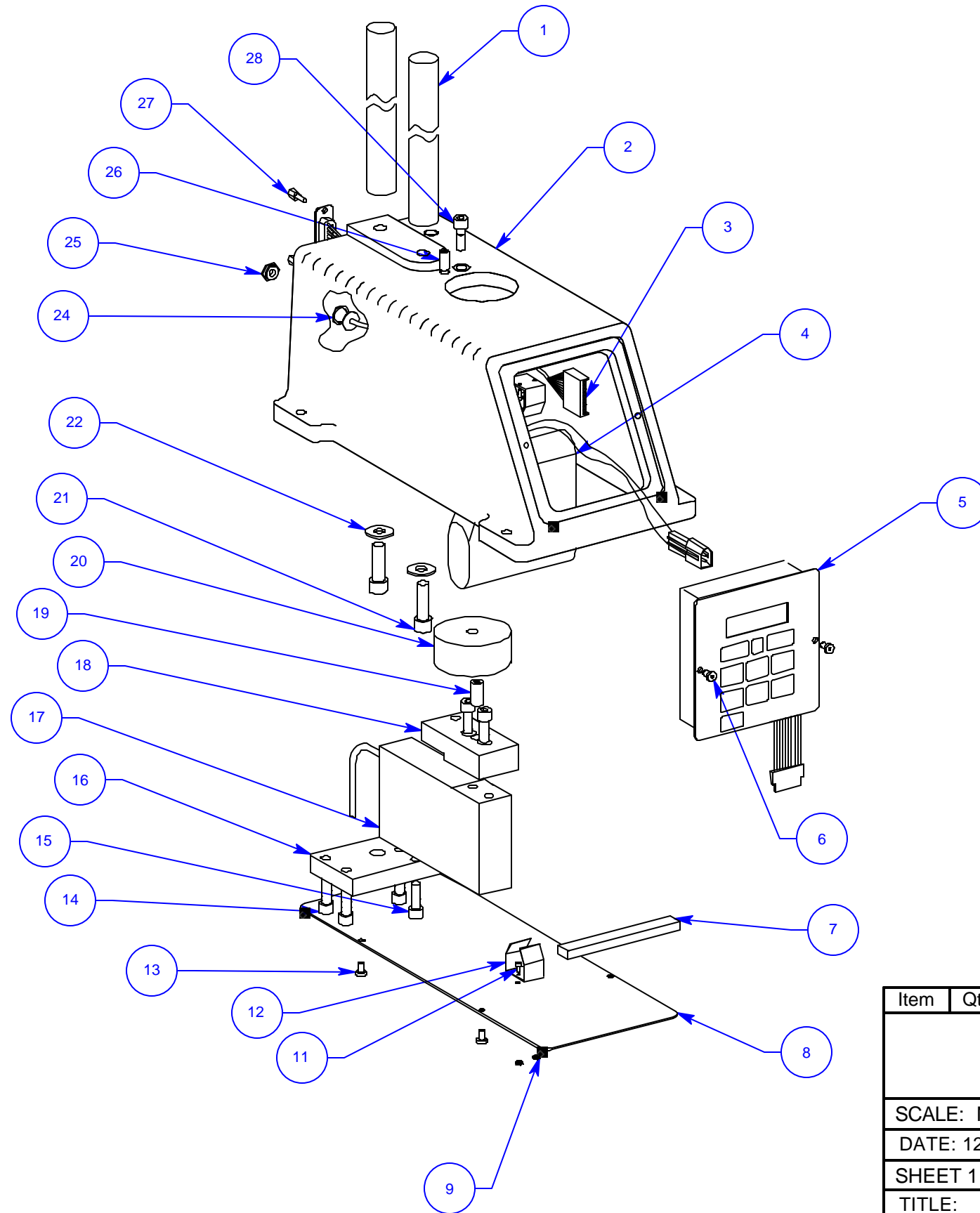
Refer to actual order form to determine power supply.

Approved by: 

Date: July 19, 2004

025-0000-280-XX	DESCRIPTION
025-0000-280-00	SDHT, 2 lbs
025-0000-280-01	SDHT, 11 lbs
025-0000-280-02	SDHT, 22 lbs
025-0000-280-03	SDHT, 66 lbs
025-0000-280-04	SDHT, 110 lbs
025-0000-280-05	SDHT, 200 lbs
025-0000-280-06	SDHT, 750 lbs

REV	DATE	DESCRIPTION	DRW	APPR
		SEE SHEET 2		



NOTE
 1. TORQUE REQUIRMENTS
 ITEMS 14 AND 15= 14 ft lbs
 ITEM 21= 28 ft lbs
 2. APPLY LOCTITE TO ITEMS 19, 26 AND 28

Item	Qty	Description	LSI P/N
LARSON SYSTEMS INC.			
SCALE: NONE		TOLERANCE: .XX +/- .01 .XXX +/- .005	DRW. BY: SMH
DATE: 12/28/99			APPR. BY:
SHEET 1 OF 1			APPR. BY:
TITLE:		SDHT LOWER ASSEMBLY	
MATERIAL:		SHEET 1 OF 2	DRAWING NUMBER
FINISH:		B	025-0000-0280-XXR



025-0000-0280-06 R
Lower Assembly SDHT 750 lb

Parts List

Rev	By	Date	Description
N	SMH	05-23-2001	ADDED ITEM 19 TO THE TABLE
P	SMH	12-10-2002	REM'D ITEMS 10 AND 23, ITEM 24 13-2-241 WAS 13-2-117, ITEM 25 18-0-2160 WAS 18-0-1301, ITEM 7 WAS THE WRONG PART NUMBER. DRAWING WAS 1 SHEET IS 2
Q	DAL	03-18-2003	Added 013-3000-0022-00
R	DAL	07-17-2003	was #14 13-0-0211-00 is #15 13-0-0211-00 on -00 to -05

Item	Qty	Part Number	Rev	Part Name
1	2	018-0000-1563-00	A	17.600" Support Rods (12" Range)
2	1	018-0000-0871-02		DHT Base
3	1	025-1000-0287-01	G	Internal RS 232 Cable
4	1	025-1000-0240-00	K	Rechargable Battery, 6V, SDHT, orange molex connector
5	1	025-0000-0284-00	H	Front Panel Assembly SDHT
6	2	013-0000-0077-00		6-32 X 1/4 BHSCS
7	1	013-7000-0007-00		White Foam Tape 3.5' X .5" X .25"
8	1	018-0000-0877-00		BASE BOTTOM COVER
9	2	013-0000-0185-00		#2-56 HEX NUT
11	4	013-0000-0184-00		2-56 X 3/16PHMS, PHILLIPS
12	2	011-2000-0002-00		KEYSTONE 222/BATT. HOLDER
13	4	013-0000-0195-00		6-32 X 1/4 PHMS PHILLIPS
14	4	013-0000-0149-00		1/4-28 X 7/8 SHCS
15	4	013-0000-0206-00		M10-1.5 X 22mm SHCS
16	1	018-0000-0902-02	C	Load Cell Mounting Plate (dht)
17	1	025-1000-0172-03		750 lbs LOAD CELL ASSEMBLY
18	1	018-0000-0903-02	C	Lower Platform Mounting Plate (DHT)
19	1	013-0000-0053-00		5/16-18 X 3/4 FHSCS
20	1	018-0000-0905-00	A	Lower Platform
21	2	013-0000-0154-00		5/16-18 X 1 1/4 SHCS
22	2	018-0000-1514-00		WASHER .320 I.D. X .625 O.D.
24	1	013-2000-0241-00		Hard Fiber Washer, 5/16" ID x 9/16" OD x 1/64" THK
25	1	018-0000-2160-00	A	Power Jack Nut / Insulator
26	1	013-0000-0194-00		1/4-28 X 1/2 SSS FLAT POINT
27	2	013-1000-0010-00		Female Screw Lock
28	1	018-0000-1302-00	A	Compression Overload Stops
29	1	013-3000-0022-00		69915K47 cord grip fitting

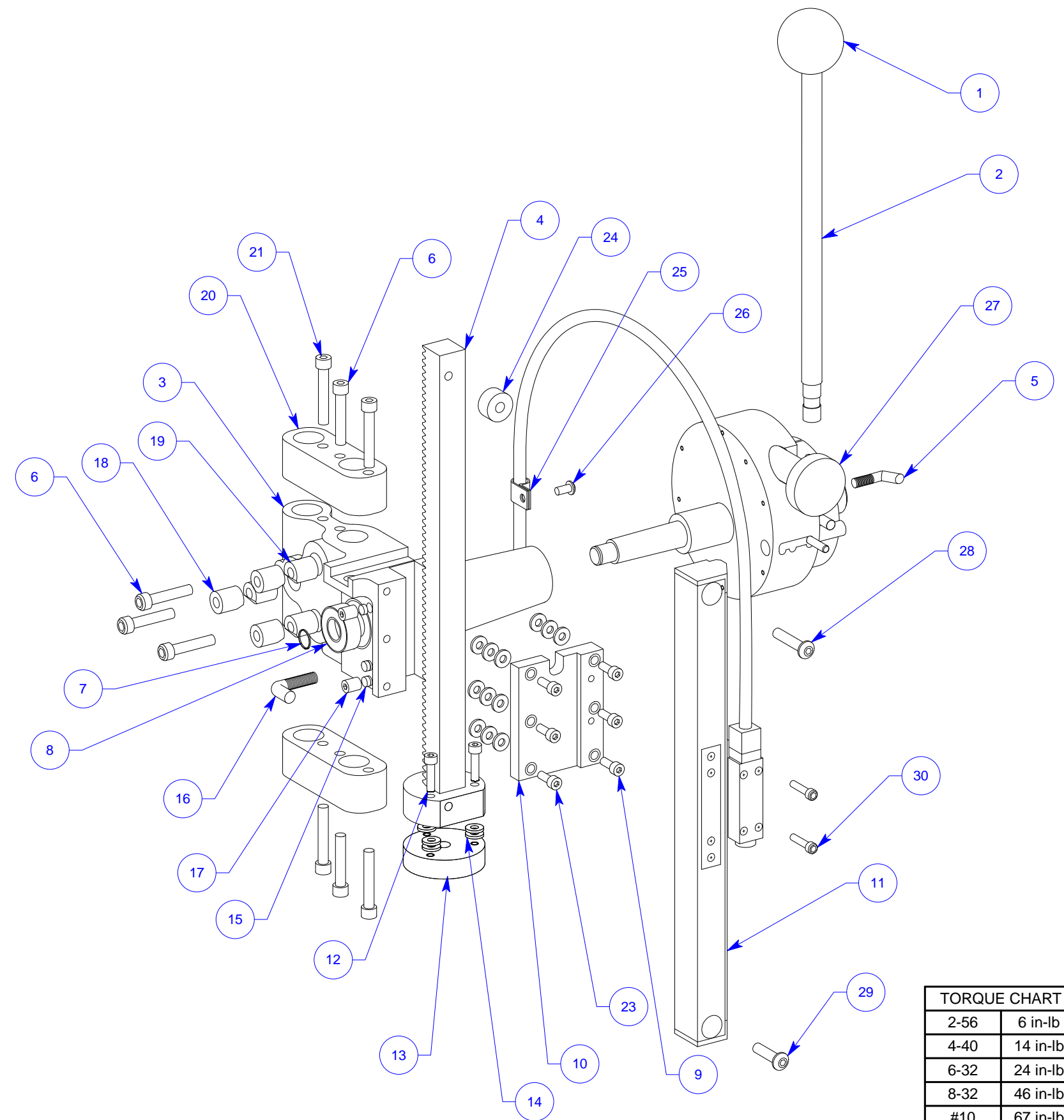
Item 29 not shown

Approved by: 

Date: July 17, 2003

SEE ATTACHED DRAWING

REV	DATE	DESCRIPTION	DRW	APPR
		See page 2		



NOTE
1. APPLY GREASE TO THE TEETH OF ITEMS 4 AND 27 AT ASSEMBLY
2. TORQUE ALL SCREWS TO TORQUE CHART SPECIFICATIONS UNLESS OTHERWISE NOTED
3. TORQUE ITEM 23 TO 50 inlbs

TORQUE CHART	
2-56	6 in-lb
4-40	14 in-lb
6-32	24 in-lb
8-32	46 in-lb
#10	67 in-lb
1/4	13 ft-lb
5/16	26 ft-lb
3/8	47 ft-lb
1/2	117 ft-lb

Item	Qty	Description	LSI P/N
LARSON SYSTEMS INC.			
SCALE: 1:3		TOLERANCE: .XX +/- .01	DRW. BY: SMH
DATE: 4/26/99		.XXX +/- .005	APPR. BY:
TITLE: UPPER ASSEMBY OF SDHT (11")			
Page 1 of 3		B	DRAWING NUMBER 025-0000-185-02Q



025-0000-0185-02 Q

Parts List

Upper Assembly 11" SDHT

Rev	By	Date	Description
M	DAL	03-31-2003	018-0-2222 WAS 018-0-1928
N	DAL	05-04-2004	Item #3 was 018-0000-0872-02 is 018-0000-1866-00
P	SGS	09-11-2008	Item#12 was 013-0000-0175-00, Item#30 Qty was 1
Q	DAL	11-01-2012	#6 was 013-0000-0098-00 is 013-0000-0065-00, #22 is now same as #6 so has been renumbered

Item	Qty	Part Number	Rev	Part Name	PCB Location	Part Length
1	1	013-5000-0029-00		Phoenolic Ball Knob		in.
2	1	018-0000-0901-00	C	Handle - 5.84" (2, 10 lb Hand Tester)		in.
2		018-0000-0901-01	C	Handle - 7.84" (22, 66, 110, 200 lb Hand Tester)		in.
2		018-0000-0901-02	C	Handle - 9.84" (750, 2000 lb Hand Tester)		in.
3	1	018-0000-1866-00	C	SDHT Rack Housing, Machining		in.
4	1	018-0000-1249-04	P	11" SDHT Gear Rack		in.
5	1	018-0000-2214-00	A	Handle Lock, 1/4-20		in.
6	5	013-0000-0065-00		1/4-20 X 1 1/4 SHCS		in.
7	1	013-2000-0086-00		Snap Ring, 5100-46-PP		in.
8	1	013-2000-0080-00		Bearing, Hand Tester Housing		in.
9	4	013-0000-0196-00		10-32 X 1/2 SHCS		in.
10	1	018-0000-0873-00	G	SDHT Caliper Mounting Plate		in.
11	1	025-1000-0243-06	R	11" Linear Encoder with connector		in.
12	3	018-0000-1732-02	B	10-32 Custom Screws for Platform Alignment		in.
13	1	018-0000-1044-00	C	2" DIA Upper Platform		in.
14	12	018-0000-0435-01	C	Shim - 0.195 ID, 0.450 OD, 0.0010 thick		in.
15	3	018-0000-1036-00	A	Brass Wear Pad		in.
16	1	018-0000-2221-00	A	Rack Lock, 5/16-18		in.
17	2	013-0000-0243-00		5/16-18 X 3/8 SSS with Nylon Lock		in.
18	3	018-0000-1042-00	A	Locking Clamp #1 (Hand Tester)		in.
19	3	018-0000-1043-00	B	Locking Clamp #2 (Hand Tester)		in.
20	2	018-0000-1429-00		Precision Linear Guides (SDHT)		in.
21	4	013-0000-0061-00		1/4-20 X 1 1/2 SHCS		in.
23	2	013-0000-0192-00		10-32 X 3/8 SHCS		in.
24	1	018-0000-2225-00	B	DHT Rack Spacer		in.
25	1	013-3000-0002-00		Cable Clamp, 5/16" Dia.		in.
26	1	013-0000-0052-00		10-32 X 3/8 BHSCS		in.
27	1	025-0000-0407-00	J	Micro Length Adjust with Built-in Stops (SDHT)		in.
28	1	013-0000-0321-00		1/4-20 X 1 1/8 SHCS		in.
29	1	013-0000-0032-00		1/4-20 X 3/4 SHCS		in.

Approved by:

Date:

November 1, 2012

SEE ATTACHED DRAWING

Printed on 11-01-2012, 5:35:15 PM by DAL

Page 2 of 3



025-0000-0185-02 Q

Parts List

Upper Assembly 11" SDHT

Rev	By	Date	Description
M	DAL	03-31-2003	018-0-2222 WAS 018-0-1928
N	DAL	05-04-2004	Item #3 was 018-0000-0872-02 is 018-0000-1866-00
P	SGS	09-11-2008	Item#12 was 013-0000-0175-00, Item#30 Qty was 1
Q	DAL	11-01-2012	#6 was 013-0000-0098-00 is 013-0000-0065-00, #22 is now same as #6 so has been renumbered

Item	Qty	Part Number	Rev	Part Name	PCB Location	Part Length
30	2	013-0000-0156-00		8-32 X 3/4 SHCS		in.

Approved by:

Date:

November 1, 2012

SEE ATTACHED DRAWING



Larson Systems Inc.
10073 Baltimore Street NE
Minneapolis, MN 55449-4425
www.larsonsystems.com

763-780-2131
1-877-780-2131
Fax: 763-780-2182
info@larsonsystems.com

