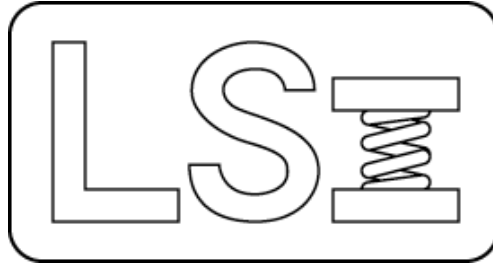


Larson Systems Inc.



SDHT 2000 Parts List

050-0000-0101-00

Super Digital Hand Tester





050-0000-0101-00 E

Parts List

SDHT 2000 - 750 lb Capacity, Lever Operated

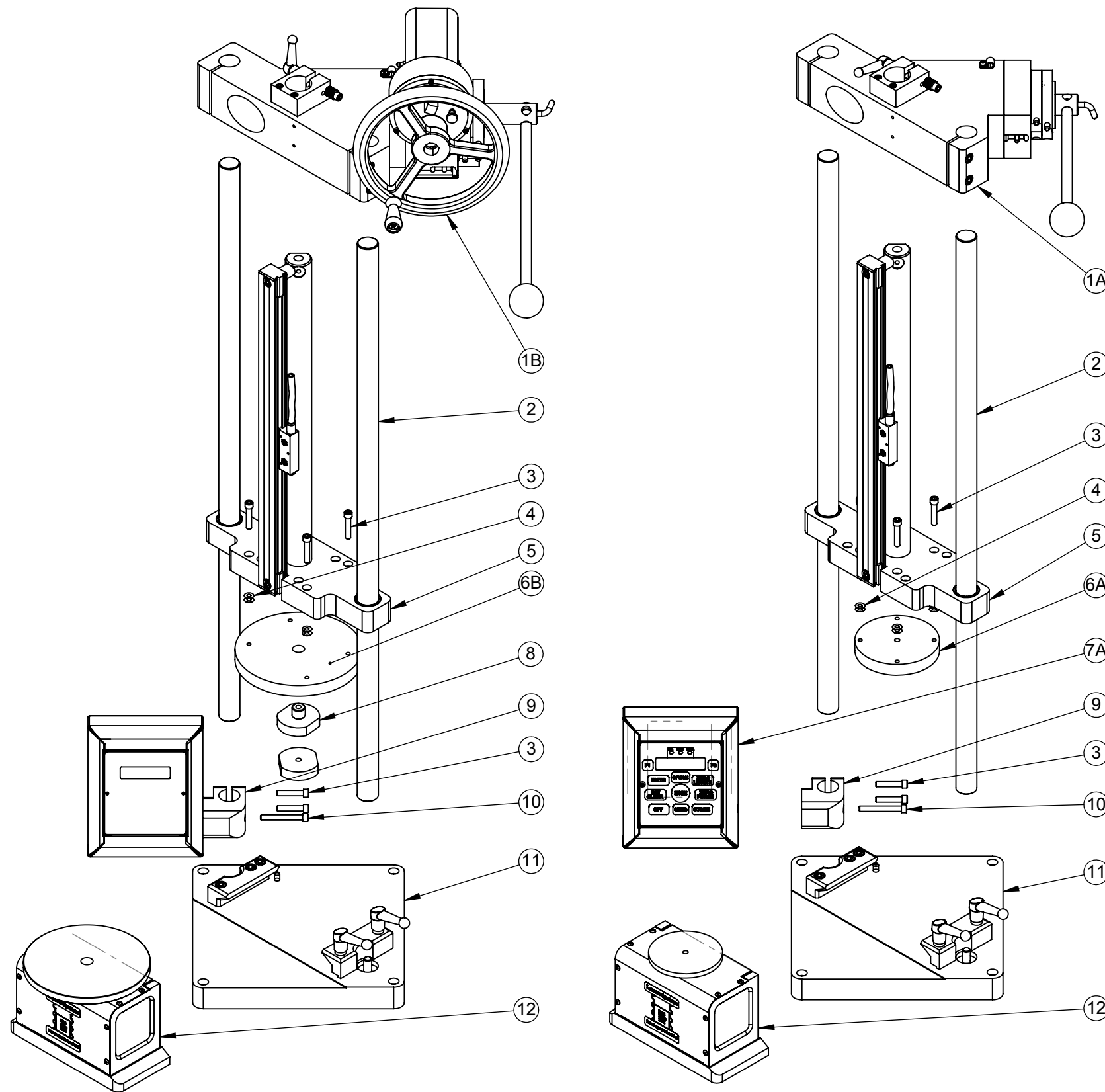
Rev	By	Date	Description
B	SMH		018-0000-2029 was 018-0000-2030
C	MDL	11-11-2002	Added 025-6000-0006-00, added note about power supply
D	KMP	03-10-2004	Part Name was SDHT 2000 - 2000lb (with Micro Adjust) Change Item #1 was 025-0000-0434-00, eliminate Item #2. Add Item 2 025-0-0342-03 Force Meter
E	DAL	03-07-2013	Added 025-0000-0434-00


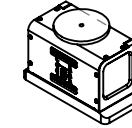

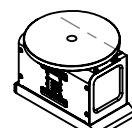
Item	Qty	Part Number	Rev	Part Name	PCB Location	Part Length
1	1	025-0000-0435-00	M	SDHT 2000 / DHT 1500 Assembly		in.
2	1	025-0000-0434-00	J	Micro Length Adjust Assembly (2000 lb Capacity)		in.
3	1	025-0000-0342-03	A	Super Force Meter SDHT- 2000, SDHT Carlson		in.
4	1	050-1000-0005-00	P	SDHT Software 4.25		in.
5	1	060-1000-0034-00	J	User Manual - SDHT / SDHT 2000		in.
6	1	060-2000-0011-00		Parts List - SDHT 2000		in.
7	1	025-6000-0006-00	D	Sticker Assembly - SDHT 2000		in.
8	1	059-0000-0043-00	A	Shipping Crate - SDHT 2000 / CST, 18" range rods		in.
8		059-0000-0043-01	A	Shipping Crate - SDHT 2000, 24" range rods		in.
8		059-0000-0043-02	A	Shipping Crate - SDHT 2000, 36" range rods		in.
8		059-0000-0043-03	A	Shipping Crate - SDHT 2000, 48" range rods		in.

Approved by: 

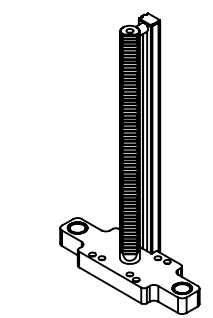
Date: March 7, 2013

REV	DATE	DESCRIPTION	DRW	APP
		SEE SHEET 2		



Options with the Lever Operated Assembly and the Micro Adjust Assembly						
Platform Dia.	ITEM 6		Load Cell Cap.	ITEM 12		
	4"	018-0000-2028-00		2 lb	025-0000-0814-00	
	4"	018-0000-2028-00		11 lb	025-0000-0814-01	
	4"	018-0000-2028-00		22 lb	025-0000-0814-02	
	4"	018-0000-2028-00		66 lb	025-0000-0814-03	
	4"	018-0000-2028-00		110 lb	025-0000-0814-04	
	4"	018-0000-2028-00		200 lb	025-0000-0814-05	
	6"	018-0000-2038-00		550 lb	025-0000-0814-08	
	6"	018-0000-2038-00		750 lb	025-0000-0814-09	
	<u>Optional with the</u>			<u>Micro Adjust Assembly Only</u>		
	6"	018-0000-2038-00		1000 lb	025-0000-0814-10	
	6"	018-0000-2038-00		1500 lb	025-0000-0814-11	
	6"	018-0000-2038-00		2000 lb	025-0000-0814-12	

Item 8 018-0000-2029-00
 2" dia platform and 5/8-18 to 5/16-18 thd adapter is only supplied in multiple load cell systems when 3.5" dia platform load cells (025-0000-0814-00 to -05) are purchased as well as 6" dia platform load cells 025-0000-0814-08 to -12). Also supply 6" dia platform 018-0000-2038-00.



Stroke Length	Thru Hole Dia.	Item 5
13 Inch (Standard)	Ø.437	025-0000-0446-00
18 Inch	Ø.437	025-0000-0446-03
24 Inch	Ø.437	025-0000-0446-04
18 Inch	NONE	025-0000-0446-01
24 Inch	NONE	025-0000-0446-02
36 Inch	NONE	025-0000-0446-05

Extended Range Rod	Item 2
Standard 18 Inch	018-0000-1996-00
24 Inch	018-0000-1996-03
36 Inch	018-0000-1996-01
48 Inch	018-0000-1996-02
60 Inch	018-0000-1996-04
72 Inch	018-0000-1996-05

Force Meter	Item 7
SDHT	025-0000-0342-03
DHT	025-0000-0342-04

LS

LARSON SYSTEMS INC.

10073 Baltimore St. NE PH. 763-780-2131
 Mpls., MN 55449 FAX. 763-780-2182

APPROVALS	DATE	SDHT 2000 / DHT 1500 Assembly
DRAWN KMP	2/25/04	
APP.		B DWG. NO. 025-0000-0435-00M
APP.		
SCALE: NONE		SHEET 1 OF 3



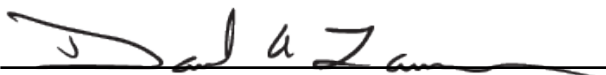
025-0000-0435-00 M
SDHT 2000 / DHT 1500 Assembly

Parts List

Rev	By	Date	Description
H	KMP	06-24-2005	Change Item 10 013-0-0032-00-013-0-0031-00, delete Items 24, 25, 26.
J	KMP	03-23-2007	Change Linear Encoder Mounting, Change Item 3 was 014-1-0015-01, Item 6 was 018-0-1991-00, Item 7 was 013-0-0181-00, Item 9 was 013-0-0064-00, Item 10 was /2/, Item 18 was 013-0-0323-00, Delete Items 4
K	KMP	07-20-2007	Change Item 2 to rods only, Change Items 3, 6, 10, 18 to Ref. Added Load Cell No. 025-0-0433-04 (2,000 lb) to Item 23
M	DAL	01-08-2013	redesign to use 025-0000-0814-XX load cells

Item	Qty	Part Number	Rev	Part Name	PCB Location	Part Length
1A	1	025-0000-0434-01	A	Lever Operated Assembly SDHT 2000 - 750		in.
1B	Opt	025-0000-0434-00	J	Micro Length Adjust Assembly (2000 lb Capacity)		in.
2	2	018-0000-1996-00	E	32" Support Rods for 18" Range		in.
2	Opt	018-0000-1996-03	E	36" Support Rods for 24" Range		in.
2	Opt	018-0000-1996-01	E	48" Support Rods for 36" Range		in.
2	Opt	018-0000-1996-02	E	60" Support Rods for 48" Range		in.
2	Opt	018-0000-1996-04	E	72" Support Rods for 60" Range		in.
2	Opt	018-0000-1996-05	E	84" Support Rods for 72" range		in.
3	6	013-0000-0065-00		1/4-20 X 1 1/4 SHCS		in.
4	AR	018-0000-0435-02	C	Shim - 0.255 ID, 0.450 OD, 0.0010 thick		in.
5	1	025-0000-0446-00	G	Gear Rack Assembly - 13" Stroke (0.437" Thru-Hole)		in.
5	Opt	025-0000-0446-03	F	Gear Rack Assembly - 18" Stroke (0.437" Thru-Hole)		in.
5	Opt	025-0000-0446-04	F	Gear Rack Assembly - 24" Stroke (0.437" Thru-Hole)		in.
5	Opt	025-0000-0446-01	F	Gear Rack Assembly - 18" Stroke		in.
5	Opt	025-0000-0446-02	F	Gear Rack Assembly - 24" Stroke		in.
5	Opt	025-0000-0446-05	F	Gear Rack Assembly - 36" Stroke		in.
6A	Cht	018-0000-2028-00	C	4" Platform		in.
6B	Cht	018-0000-2038-00	A	6" Upper Platform SDHT 2000		in.
7A	Ref	025-0000-0342-03	A	Super Force Meter SDHT- 2000, SDHT Carlson		in.
7B	Ref	025-0000-0342-04	A	Force Meter - DHT 1500 / DHT Carlson Upgrade		in.
8	Cht	018-0000-2029-00	B	2" Platform, 5/8-18 to 5/16-18 Adapter		in.
9	1	018-0000-1716-00	J	Upgrade Meter Clamp		in.
10	1	013-0000-0254-00		1/4-20 X 2 SHCS		in.
11	1	025-0000-0905-00		Base Assembly, SDHT 2000 DHT 1500		in.
12	Opt	025-0000-0814-00	A	2 lb Quick Change Smart Interchangeable load cell		in.
12	Opt	025-0000-0814-01	A	11 lb Quick Change Smart Interchangeable load cell		in.
12	Opt	025-0000-0814-02	A	22 lb Quick Change Smart Interchangeable load cell		in.
12	Opt	025-0000-0814-03	A	66 lb Quick Change Smart Interchangeable load cell		in.
12	Opt	025-0000-0814-04	A	110 lb Quick Change Smart Interchangeable load cell		in.
12	Opt	025-0000-0814-05	A	200 lb Quick Change Smart Interchangeable load cell		in.

Approved by:



Date:

January 11, 2013

SEE ATTACHED DRAWING



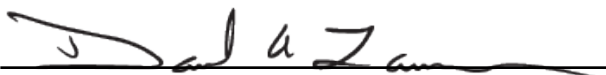
025-0000-0435-00 M
SDHT 2000 / DHT 1500 Assembly

Parts List

Rev	By	Date	Description
H	KMP	06-24-2005	Change Item 10 013-0-0032-00-013-0-0031-00, delete Items 24, 25, 26.
J	KMP	03-23-2007	Change Linear Encoder Mounting, Change Item 3 was 014-1-0015-01, Item 6 was 018-0-1991-00, Item 7 was 013-0-0181-00, Item 9 was 013-0-0064-00, Item 10 was (?), Item 18 was 013-0-0323-00. Delete Items 4
K	KMP	07-20-2007	Change Item 2 to rods only, Change Items 3, 6, 10, 18 to Ref. Added Load Cell No. 025-0-0433-04 (2,000 lb) to Item 23
M	DAL	01-08-2013	redesign to use 025-0000-0814-XX load cells

Item	Qty	Part Number	Rev	Part Name	PCB Location	Part Length
12	Opt	025-0000-0814-08	A	550 lb 6.0 dia Quick Change Smart Interchangeable		in.
12	Opt	025-0000-0814-09	A	750 lb 6.0 dia Quick Change Smart Interchangeable		in.
12	Opt	025-0000-0814-10	A	1000 lb 6.0 dia Quick Change Smart Interchangeable		in.
12	Opt	025-0000-0814-11	A	1500 lb 6.0 dia Quick Change Smart Interchangeable		in.
12	Opt	025-0000-0814-12	A	2000 lb 6.0 dia Quick Change Smart Interchangeable		in.
13	1	025-6000-0006-00	D	Sticker Assembly - SDHT 2000		in.

Approved by: _____

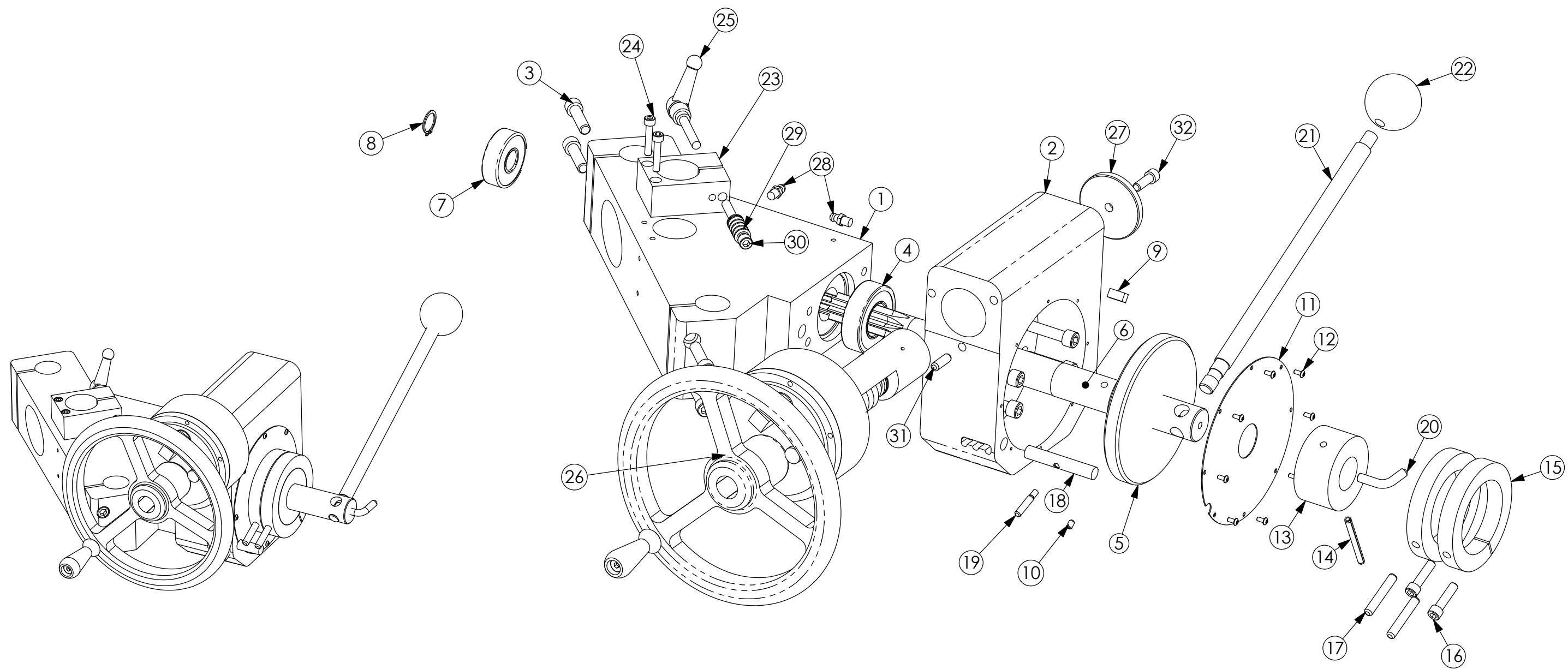


Date: _____

January 11, 2013

SEE ATTACHED DRAWING

REV.	DATE	DESCRIPTION	DRW	APPROVED
		SEE SHEET 2		




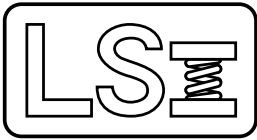
ASSEMBLY NOTES

1. INSTALL ITEM 31 INTO ITEM 2
2. ASSEMBLE ITEMS 1, 2, 4, PACK ITEM 4 WITH GREASE.
PRESS ITEM 4 INTO ITEM 1. INSTALL ITEM 2 AND DRAW DOWN WITH ITEM 3, TORQUE TO 200 inlb
3. PRESS ITEM 7 INTO ITEM 1
4. INSTALL ITEMS 11, 13, AND 14 ONTO ITEM 6
5. INSTALL ITEMS 5, 9, 10 ON TO ITEM 6
6. INSTALL ITEM 26 TO ITEM 2, THEN INSTALL ITEMS 27 AND 32
TORQUE ITEM 32 TO 100 inlbs
7. INSTALL ITEM 6 INTO ITEM 1, INSTALL ITEM 8
8. INSTALL ITEMS 18 AND 19 TO ITEM 2
9. ASSEMBLE THE REMAINING COMPONENTS AS SHOWN
10. AFTER ASSEMBLY GO THROUGH ASSEMBLY CHECKLIST 060-4000-061

NOTE

1. TESTERS 750 lbs AND LOWER, USE A 4" HAND WHEEL, FROM 025-0000-0388-00
REMOVE 018-0000-1710-00 AND REPLACE WITH 018-0000-2050-00.
2. TESTERS 1500 lbs AND HIGHER, USE A 8" HAND WHEEL AND NO CHANGES ARE MADE.

UNLESS OTHERWISE SPECIFIED DIMENSIONS ARE IN INCHES TOLERANCES ARE: .XX ± .01 .XXX ± .005			LARSON SYSTEMS INC. 10073 Baltimore St. NE PH. 763-780-2131 Mpls., MN 55449 FAX. 763-780-2182	
MATERIAL	-		APPROVALS	DATE
FINISH	-	DRAWN SMH	11/4/99	
HEAT TREAT	--	APPR.		



025-0000-0434-00 J

Parts List

Micro Length Adjust Assembly (2000 lb Capacity)

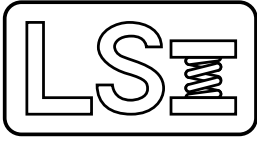
Rev	By	Date	Description
F	MEM	06-27-2003	ITEM 6, QTY IS 1 NOT 6, ITEM 20 REPLACE WITH 018-0000-2214-00
G	DAL	09-05-2003	Item 10 was 13-0-0287 is 13-0-0187-00, Item 16 was 3 is 2, Item 24 was 13-0-115 is 13-0-27-00, added Item 32
H	KMP	06-24-2005	Update assy instruction Item 28 (2) was (1)
J	SGS	02-02-2009	Item #10 was 013-0000-0187-00 now 013-0000-0121-00

Item	Qty	Part Number	Rev	Part Name	PCB Location	Part Length
1	1	018-0000-1986-00	N	SDHT 2000 Upper Frame		in.
2	1	018-0000-1988-00	M	Gear Housing		in.
3	8	013-0000-0154-00		5/16-18 X 1 1/4 SHCS		in.
4	1	013-2000-0227-00		Bearing, SDHT 2000		in.
5	1	018-0000-1714-01	H	Worm Gear		in.
6	1	018-0000-1984-00	G	Drive Pinion, SDHT 2000		in.
7	1	013-2000-0222-00		Bearing, SDHT 2000		in.
8	1	013-2000-0223-00		Snap Ring, 5100-59		in.
9	1	018-0000-1894-04	B	Key, .2495/.2500 X 1.125		in.
10	2	013-0000-0121-00		10-32 X 1/4 SSS		in.
11	1	018-0000-1983-00	A	GEAR SIDE COVER		in.
12	8	013-0000-0020-00		4-40 X 1/4 Button Head Cap Screw		in.
13	1	018-0000-1861-00	C	Clamp Drum		in.
14	1	013-2000-0206-00		Spring Pin Zinc 3/16x2.0		in.
15	2	018-0000-1857-00	B	Stop Clamp		in.
16	2	013-0000-0064-00		1/4-20 X 1 SHCS		in.
17	2	013-2000-0119-00		.25 X 1.5 DOWEL PIN		in.
18	1	018-0000-1858-00	C	Rotational Stop		in.
19	1	018-0000-1859-00		Stop Lever		in.
20	1	018-0000-2214-00	A	Handle Lock, 1/4-20		in.
21	1	018-0000-0901-02	B	Handle - 9.84" (750, 2000 lb Hand Tester)		in.
22	1	013-5000-0029-00		Handle Ball		in.
23	1	018-0000-1989-00	F	RACK STOP CLAMP		in.
24	2	013-0000-0071-00		10-24 X 1 1/4 SHCS		in.
25	1	013-5000-0129-00		Adjustable Handle KHB-250 1 1/2 Lg. Stud		in.
26	1	025-0000-0388-00	G	Gear Reduction Assembly Micro adjust		in.
27	1	018-0000-2113-00		SDHT 2000 BACKING PLATE		in.
28	2	013-1000-0012-00		1/4-28 Grease Fitting		in.
29	12	013-2000-0232-00		Belleville Spring		in.
30	1	013-0000-0174-00		1/4-20 X 2 1/4 SHCS (NS)		in.

Approved by: 

Date: February 3, 2009

SEE ATTACHED DRAWING



025-0000-0434-00 J

Parts List

Micro Length Adjust Assembly (2000 lb Capacity)

Rev	By	Date	Description
F	MEM	06-27-2003	ITEM 6, QTY IS 1 NOT 6, ITEM 20 REPLACE WITH 018-0000-2214-00
G	DAL	09-05-2003	Item 10 was 13-0-0287 is 13-0-0187-00, Item 16 was 3 is 2, Item 24 was 13-0-115 is 13-0-27-00, added Item 32
H	KMP	06-24-2005	Update assy instruction Item 28 (2) was (1)
J	SGS	02-02-2009	Item #10 was 013-0000-0187-00 now 013-0000-0121-00

Item	Qty	Part Number	Rev	Part Name	PCB Location	Part Length
31	1	013-2000-0172-00		1/4 X 3/4" Dowel Pin		in.
32	1	013-0000-0032-00		1/4-20 X 3/4 SHCS		in.

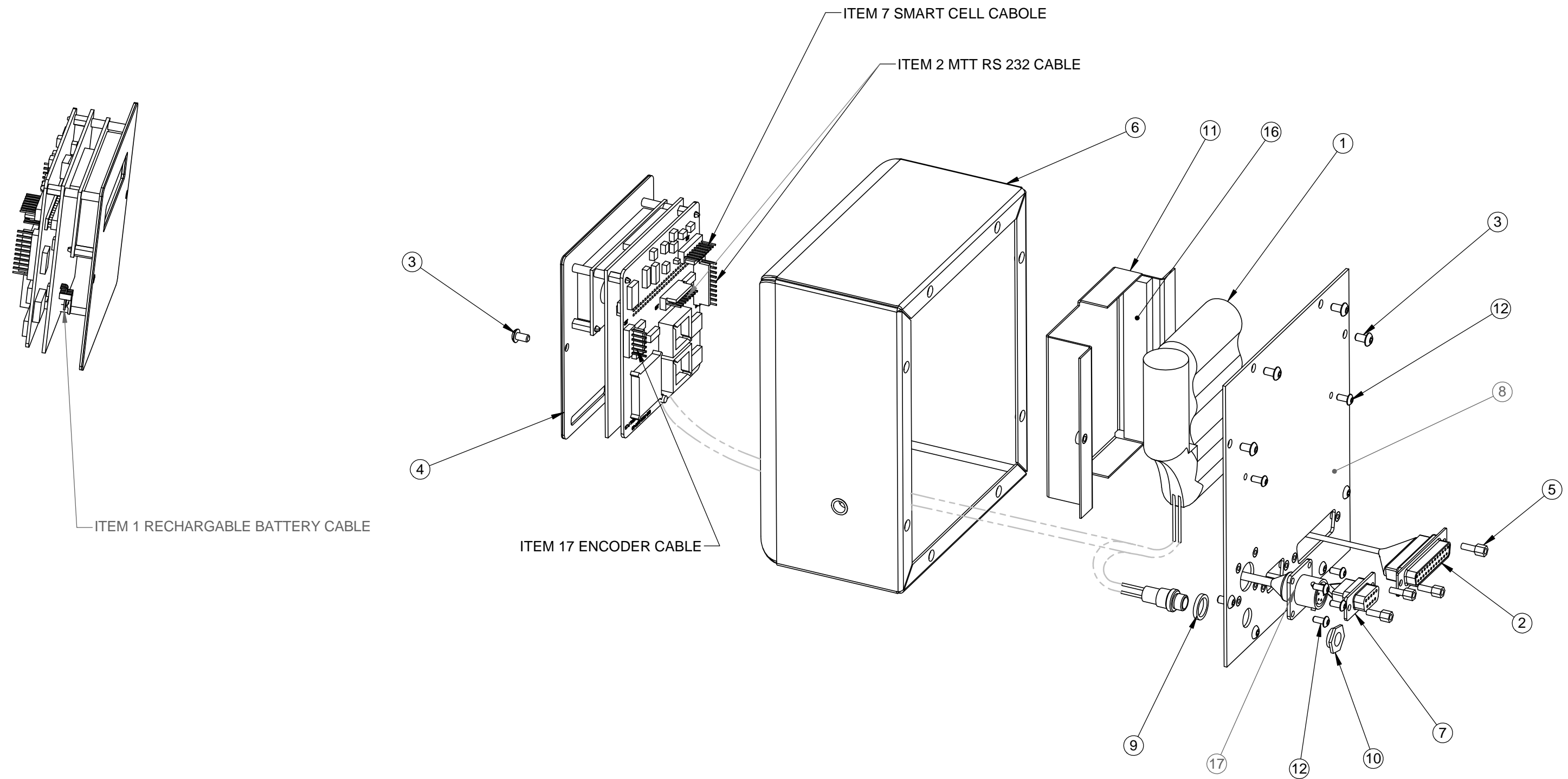
Approved by:

Date:

February 3, 2009

SEE ATTACHED DRAWING

REV	DATE	DESCRIPTION	DRW	APP
		SEE PAGE 2		



- NOTE: 1. Assemble #9, Power Jack Spacer / Insulator on #1, Battery Connector, than insert thru #8 Cover and tighten with #10 Power Jack Nut.
2. Assemble #2, MTT RS 232 Cable, #7, Smart Cell Cable with #5 Female Screw Locks and #17 Encoder Cable with (4) #12 4-40 X 1/4 BHSCS to the #8, Cover.
3. Assemble #16, Foam Tape on the inside of #11 Battery Retainer along one side and one end.
4. Assemble #11, Battery Retainer and #1 Rechargeable Battery to #8 Cover with (2) #12 4-40 X 1/4 BHSCS.
5. Mount #8, Cover To the bottom of #6, Enclosure Force Meter with #3 6-32 X 1/4 BHSCS.
6. Install #17, Encoder Cable, #7, Smart Cell Cable, #2 MTT RS 232 Cable and #1 Rechargeable Battery cable to #4, Front Panel Assembly. Then set #4 Front Panel in place and screw (2) #3 6-32 X 1/4 BHSCS

UNLESS OTHERWISE SPECIFIED
DIMENSIONS ARE IN INCHES
TOLERANCES ARE:
.XX ± .01
.XXX ± .005



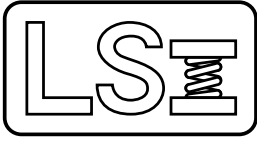
LARSON SYSTEMS INC.

10073 Baltimore St. NE PH. 763-780-2131
Mpls., MN 55449 FAX. 763-780-2182

MATERIAL	-
FINISH	-
HEAT TREAT	-

APPROVALS	DATE
DRAWN KMP	3/3/04
APP.	
APP.	

SUPER FORCE METER SDHT 2000, AND CARLSON UPGRADE	
B	DWG. NO. 025-0000-0342-03A
SCALE: NONE	SHEET 1 OF 2



025-0000-0342-03 A

Parts List

Super Force Meter SDHT- 2000, SDHT Carlson

Rev	By	Date	Description
	KMP	03-04-2004	
A	KMP	02-22-2006	Delete Item 15 060-1-0046, #12 Qty was 2 is 6

Item	Qty	Part Number	Rev	Part Name	PCB Location	Part Length
1	1	025-1000-0240-00	M	Rechargeable Battery, 6V, SDHT, orange molex connector		in.
2	1	025-1000-0287-02	H	INTERNAL RS-232 CABLE		in.
3	10	013-0000-0077-00		6-32 X 1/4 Button Head Cap Screw		in.
4	1	025-0000-0284-00	J	Front Panel Assembly - SDHT		in.
5	4	013-1000-0010-00		Female Screw Lock		in.
6	1	018-3000-0018-00		Enclosure, Force Meter		in.
7	1	025-1000-0304-02	D	SMART CELL CABLE ASSEMBLY, SDHT		in.
8	1	018-3000-0019-00	A	Cover, Force Meter		in.
9	1	018-0000-1635-00		Power Jack Spacer / Insulator		in.
10	1	018-0000-2160-00	A	Power Jack Nut / Insulator		in.
11	1	018-0000-1831-00	A	Battery Retainer for SFM		in.
12	6	013-0000-0020-00		4-40 X 1/4 Button Head Cap Screw		in.
14	1	025-1000-0396-00		Power Supply, 100-240 VAC 50-60 Hz (USA Plug)		in.
14		025-1000-0396-01		Power Supply, 100-240 VAC 50-60 Hz (UK Plug)		in.
14		025-1000-0396-02		Power Supply, 100-240 VAC 50-60 Hz (Australia, New Zealand,		in.
14		025-1000-0396-03		Power Supply, 100-240 VAC 50-60 Hz (Euro Plug)		in.
14		025-1000-0306-02	D	Power Supply, 220 V / 50 Hz, South Africa / India		in.
16	4	013-7000-0007-00		White Foam Tape 3.5' X .5" X .25"		in.
17	1	025-1000-0490-00	A	CABLE, INTERNAL ENCODER 6.0"		in.

Approved by:

Date:

July 7, 2006

SEE ATTACHED DRAWING



Larson Systems Inc.
10073 Baltimore Street NE
Minneapolis, MN 55449-4425
www.larsonsystems.com

763-780-2131
1-877-780-2131
Fax: 763-780-2182
info@larsonsystems.com

