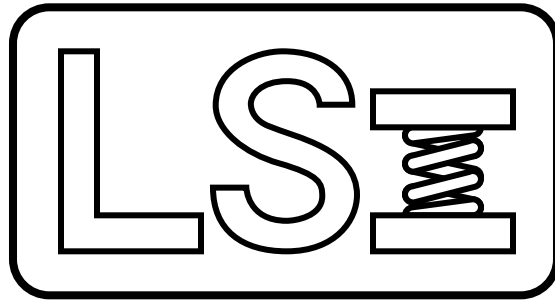


Larson Systems Inc.



CDHT Parts List

050-0000-0056-00

Compression Digital Hand Tester - 110 lb





050-0000-0056-00 G
 CDHT - 110 lb

Parts List

Rev	By	Date	Description
D	SMH		025-0000-0386-00 was an option, 025-1000-0280-01 was 011-0000-0009-00, added several options
E	MDL	11-05-2002	Added 025-6000-0002-00, changed 059-0000-0016-01 to -00 and cleared options
F	DAL	01-17-2003	add 060-2000-0014-02
G	MDL	07-14-2004	Changed 025-1000-0280-01 to 025-1000-0396-00 and referenced it instead of calling quantity.

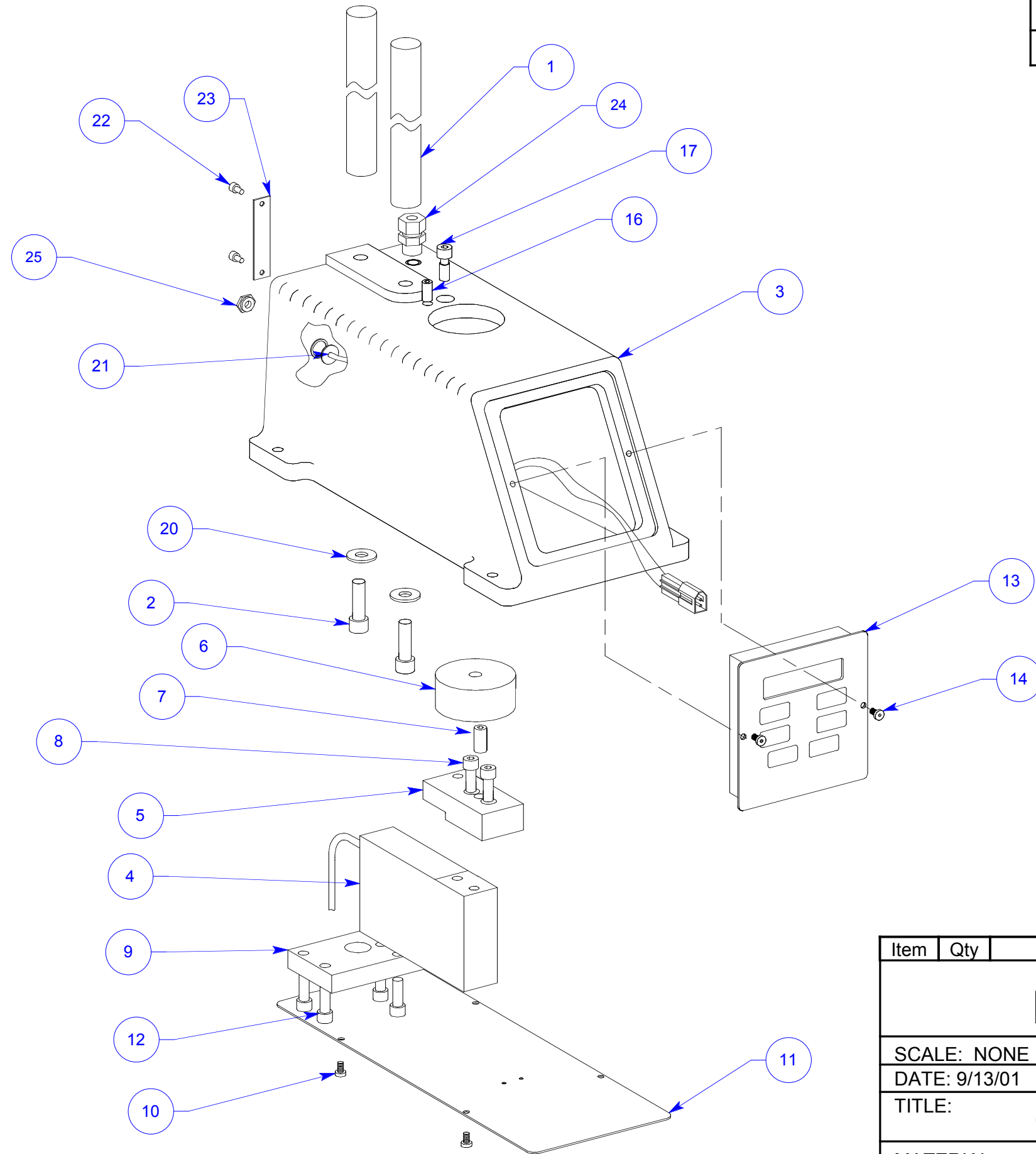
Item	Qty	Part Number	Rev	Part Name	PCB Location	Part Length
1	ref	025-1000-0396-00		Power Supply, 100-240 VAC 50-60 Hz (USA Plug)		in.
2	1	025-0000-0291-00	H	Lower Assembly CDHT 110 lb		in.
3	1	025-0000-0185-05	N	Upper Assembly 5" ECT / CDHT		in.
4	1	025-0000-0386-00	F	Digital Length Display		in.
5	1	060-1000-0025-00	K	User Manual - ECT / CDHT / FDHT / DHT / CST		in.
6	1	060-0000-0074-00	A	Tester Packet Forms		in.
7	1	059-0000-0016-00	E	Hand Tester Shipping Box & Materials		in.
8	1	025-6000-0002-00		Sticker Assembly - CDHT		in.
9	1	060-2000-0014-02		Parts List - CDHT 110 lb		in.

Refer to actual order form to determine power supply.

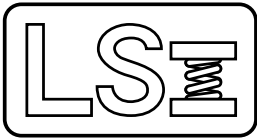
Approved by: 

Date: July 19, 2004

REV	DATE	DESCRIPTION	DRW	APPR
		SEE SHEET 2		



Item	Qty	Description	LSI P/N
LARSON SYSTEMS INC.			
SCALE: NONE		TOLERANCE: .XX +/- .01	DRW. BY: SMH
DATE: 9/13/01		.XXX +/- .005	APPR. BY:
TITLE:		CDHT Lower Assembly, 110 lbs	
MATERIAL:		DRAWING NUMBER	
FINISH:		SHEET 1 OF 2	B 025-0000-0291-00H



025-0000-0291-00 H
 Lower Assembly CDHT 110 lb

Parts List

Rev	By	Date	Description
G	SMH	09-13-2001	REMOVED 13-0-237 AND 13-0-238, UPDATED AND RENUMBERED ASSY, ADDED ITEMS 22 AND 23, ASSY WAS 3 SHEETS
H	SMH	12-09-2002	REMOVED ITEM 15 17-0-12-2, ITEM 18 13-0-93 AND ITEM 19 13-0-44, ADDED ITEM 24 13-3-22 AND ITEM 25 18-0-2160, 18-0-907-07 WAS 18-0-907-00, 13-0-178 WAS 13-0-20, DRAWING WAS 1 SHEET IS 2

Item	Qty	Part Number	Rev	Part Name
1	2	018-0000-0907-07	M	9.125" Support Rods (6" Range)
2	2	013-0000-0154-00		5/16-18 X 1 1/4 SHCS
3	1	018-0000-0871-02		DHT Base
4	1	025-1000-0172-01		110 lbs Load Cell Assembly
5	1	018-0000-0903-03	A	Lower Platform Mounting Plate (DHT)
6	1	018-0000-0905-00	A	Lower Platform
7	1	013-0000-0132-00		5/16-18 X 5/8 SSS
8	4	013-0000-0198-00		1/4-20 X 5/8 SHCS
8		013-0000-0211-00		M6 X 16 SHCS
9	1	018-0000-0902-02		LOAD CELL MOUNTING PLATE (DHT)
10	4	013-0000-0195-00		6-32 X 1/4 PHMS PHILLIPS
11	1	018-0000-0877-00		BASE BOTTOM COVER
12	4	013-0000-0149-00		1/4-28 X 7/8 SHCS
13	1	025-0000-0482-00		Front Panel Assembly, 2 Line Display
14	2	013-0000-0077-00		6-32 x 1/4 BHSCS
16	1	013-0000-0194-00		1/4-28 X 1/2 SSS FLAT POINT
17	1	018-0000-1302-00	A	COMPRESSION OVERLOAD STOPS
20	1	018-0000-1514-00		WASHER .320 I.D. X .625 O.D.
21	1	025-1000-0251-00		Internal Power Cable
22	2	013-0000-0178-00		4-40 X 1/4 SHCS
23	1	018-0000-2014-00		25 PIN COVER PLATE
24	1	013-3000-0022-00		69915K47 cord grip fitting
25	1	018-0000-2160-00		Power Jack Nut

Approved by: 

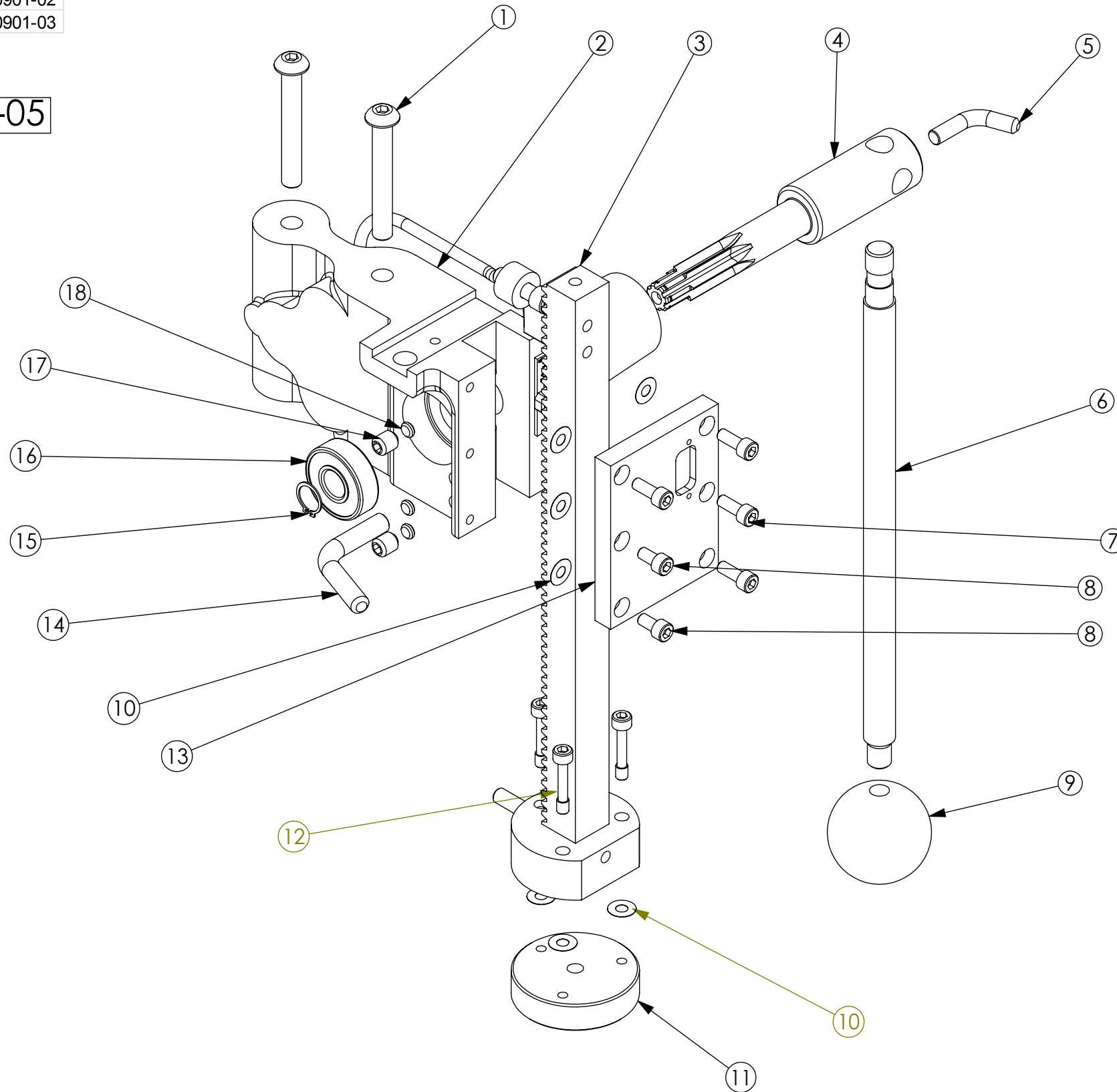
Date: December 9, 2002

SEE ATTACHED DRAWING


MODEL	ITEM 6
2 lbs, 11 lbs	018-0000-0901-00
110 lbs	018-0000-0901-01
750 lbs	018-0000-0901-02
1500 lbs	018-0000-0901-03

REV.	DATE	DESCRIPTION	DRW	APPROVED
		SEE SHEET 2		

-05



Note:
 1. Grease Item 4, gear teeth and 1.0 dia
 2. Oil Item 3
 3. Install shims #10 between #13 and #2 to suit to create min clearance for #3 but to maintain smooth operation
 4. Install shims #10 between #11 and #3 at calibration to set parallism of the platforms

UNLESS OTHERWISE SPECIFIED DIMENSIONS ARE IN INCHES TOLERANCES ARE: .XX ± .01 .XXX ± .005		 LARSON SYSTEMS INC. 10073 Baltimore St. NE PH. 763-780-2131 Mpls., MN 55449 FAX. 763-780-2182
MATERIAL	-	
FINISH	-	APPROVALS DATE DRAWN SMH 11/22/00 APPR.
HEAT TREAT	--	ECT/ CDHT Upper Assembly DWG. NO. B 025-0000-0185-05 & -07N SCALE: NONE SHEET 1 OF 4



025-0000-0185-05 N
Upper Assembly 5" ECT / CDHT

Parts List

Rev	By	Date	Description
J	DAL	03-31-2003	Item #3, 018-0000-435-01,-03,-04 Was 018-0000-0435-XX
K	DAL	06-16-2004	Item 17 was 013-0000-0175-00 is 018-0000-1732-02, Item 12 was 013-0000-0242-00 is 013-0000-0243-00
M	DAL	01-22-2010	Added #6 018-0000-0901-03
N	RRS	07-26-2013	Add -07

Item	Qty	Part Number	Rev	Part Name	PCB Location	Part Length
1	2	013-0000-0300-00		5/16-18 X 2 1/4 BHSCS		in.
2	1	018-0000-0872-03	E	ECT / CDHT Rack Housing		in.
3	1	018-0000-1249-06	P	ECT / CDHT / DHT Gear Rack		in.
4	1	018-0000-0876-00	A	Stem Pinion		in.
5	1	018-0000-2214-00	A	Handle Lock, 1/4-20		in.
6	1	018-0000-0901-00	C	Handle - 5.84" (2, 10 lb Hand Tester)		in.
6		018-0000-0901-01	C	Handle - 7.84" (22, 66, 110, 200 lb Hand Tester)		in.
6		018-0000-0901-02	C	Handle - 9.84" (750, 2000 lb Hand Tester)		in.
6		018-0000-0901-03	C	Handle - 11.84" (1500 lb Hand Tester)		in.
7	4	013-0000-0196-00		10-32 X 1/2 SHCS		in.
8	2	013-0000-0192-00		10-32 X 3/8 SHCS		in.
9	1	013-5000-0029-00		Phoenolic Ball Knob		in.
10	AR	018-0000-0435-01	C	Shim - 0.195 ID, 0.450 OD, 0.0010 thick		in.
10	AR	018-0000-0435-03	C	Shim - 0.195 ID, 0.450 OD, 0.0050 thick		in.
10	AR	018-0000-0435-04	C	Shim - 0.195 ID, 0.450 OD, 0.0015 thick		in.
11	1	018-0000-1044-00	C	2" DIA Upper Platform		in.
12	3	018-0000-1732-02	B	10-32 Custom Screws for Platform Alignment		in.
13	1	018-0000-2218-00	B	Front Plate (for LSI Encoder)		in.
14	1	018-0000-2221-00	A	Rack Lock, 5/16-18		in.
15	1	013-2000-0086-00		Snap Ring, 5100-46-PP		in.
16	1	013-2000-0080-00		Bearing, Hand Tester Housing		in.
17	2	013-0000-0243-00		5/16-18 X 3/8 SSS with Nylon Lock		in.
18	3	018-0000-1036-00	A	Brass Wear Pad		in.

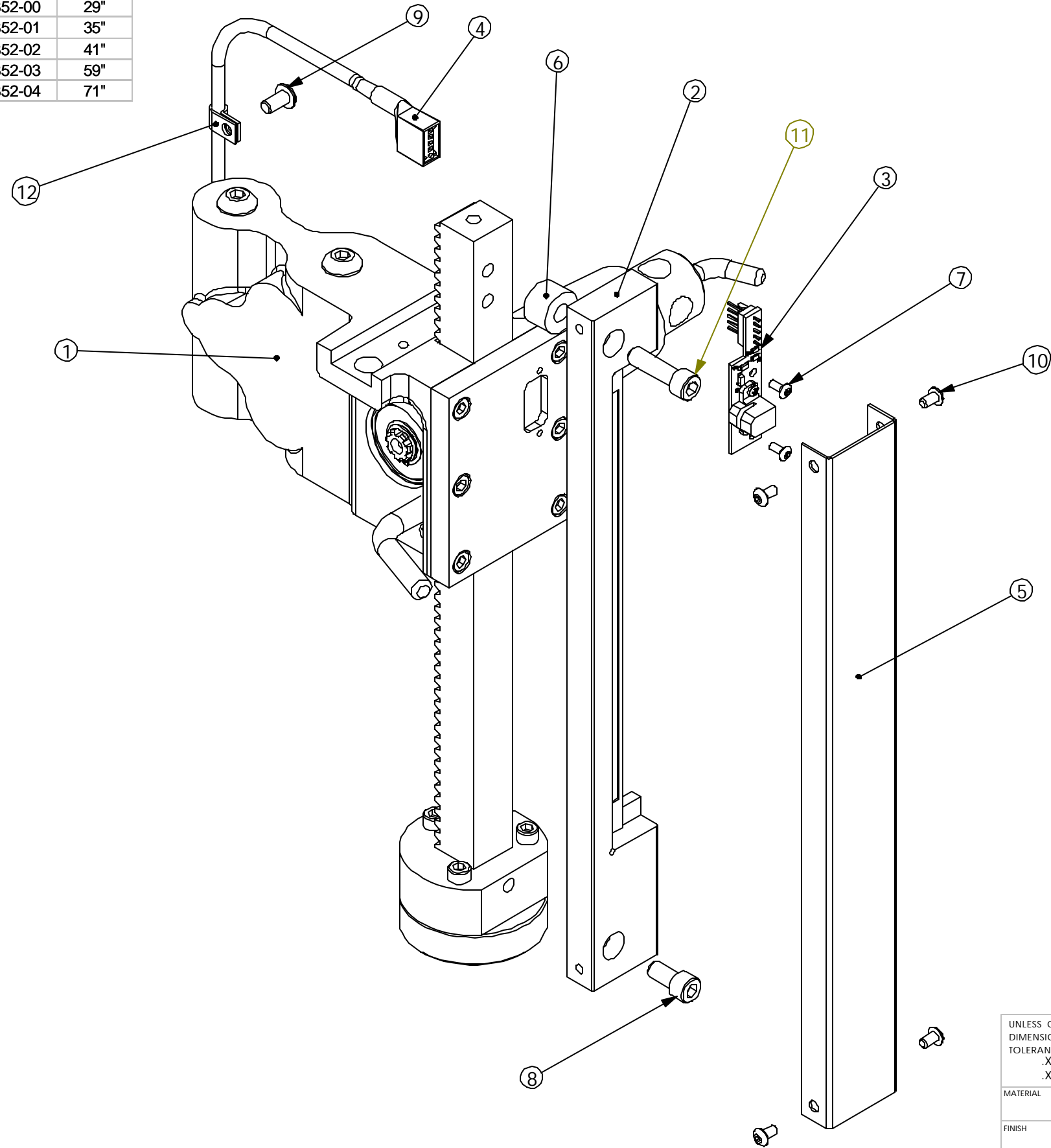
Approved by: 

Date: August 12, 2013

SEE ATTACHED 2 DRAWINGS

MODEL	025-1000-352-XX	LENGTH
STANDARD ECT/ CDHT	025-1000-352-00	29"
STANDARD DHT	025-1000-352-01	35"
DHT, 18" RODS	025-1000-352-02	41"
DHT, 36" RODS	025-1000-352-03	59"
DHT, 48" RODS	025-1000-352-04	71"

REV.	DATE	DESCRIPTION	DRW	APPROVED
		See Page 2		



UNLESS OTHERWISE SPECIFIED
DIMENSIONS ARE IN INCHES
TOLERANCES ARE:
.XX ± .01
.XXX ± .005

MATERIAL
FINISH
HEAT TREAT



LARSON SYSTEMS INC.
10073 Baltimore St. NE PH. 763-780-2131
Mpls., MN 55449 FAX. 763-780-2182

APPROVALS	DATE
DRAWN SMH	12/9/00
APPR.	
APPR.	

Upper Assembly with Encoder

B DWG. NO. 025-0000-0386-00F

SCALE: NONE SHEET 1 OF 2



025-0000-0386-00 F

Parts List

Digital Length Display

Rev	By	Date	Description
C	SMH	09-07-2001	Removed Digital Scale and replaced with LSI 6" encoder, reformatted assembly, removed notes and chart, assembly is now for both the ECT and CDHT
D	SMH	10-30-2002	Added table for 25-1000-0352-XX
E	SMH	12-24-2002	Standard ECT/CDHT was listed as standard ECT/DHT on the table
F	DAL	06-17-2004	013-3000-0023-00 was 013-3000-0021-00

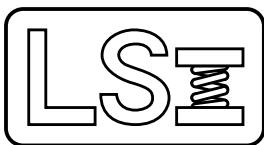
Item	Qty	Part Number	Rev	Part Name	PCB Location	Part Length
1	1	025-0000-0185-05	K	Upper Assembly 5" ECT / CDHT		in.
2	1	025-0000-0484-00	A	Glass Scale Assembly		in.
3	1	025-1000-0351-00		Encoder PCB Assembly		in.
4	1	025-1000-0352-00	B	Encoder Cable Standard ECT / CDHT		in.
4		025-1000-0352-01	B	Encoder Cable Standard DHT		in.
4		025-1000-0352-02	B	Encoder Cable DHT, 18" Rods		in.
4		025-1000-0352-03	B	Encoder Cable DHT, 36" Rods		in.
4		025-1000-0352-04	B	Encoder Cable DHT, 48" Rods		in.
5	1	018-0000-2217-00	A	Encoder Cover		in.
6	1	018-0000-2222-00		ENCODER SPACER		in.
7	2	013-0000-0020-00		4-40 X 1/4 Button Head Cap Screw		in.
8	1	013-0000-0031-00		1/4-20 X 1/2 SHCS		in.
9	1	013-0000-0052-00		10-32 X 3/8 BHSCS		in.
10	4	013-0000-0077-00		6-32 X 1/4 Button Head Cap Screw		in.
11	1	013-0000-0202-00		1/4-20 X 7/8 SHCS		in.
12	1	013-3000-0023-00		Cable Clamp, 3/16" Dia.		in.

Approved by:

Date:

June 17, 2004

SEE ATTACHED DRAWING



Larson Systems Inc.
10073 Baltimore Street NE
Minneapolis, MN 55449-4425
www.larsonsystems.com

763-780-2131
1-877-780-2131
Fax: 763-780-2182
info@larsonsystems.com

