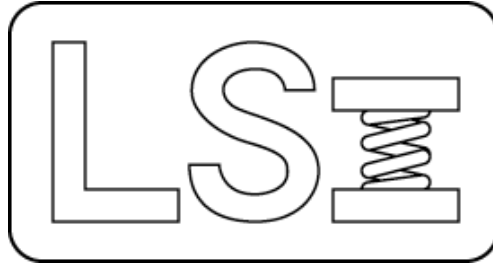


Larson Systems Inc.



RoboSTAR 11 Parts List

050-0000-0094-00 – Small Base, 5 ft. Cables

050-0000-0094-01 – Large Base, 5 ft. Cables

050-0000-0094-02 – Small Base, 15 ft. Cables

050-0000-0094-03 – Large Base, 15 ft. Cables

050-0000-0094-04 – Small Base, FLASH Head Attached

050-0000-0094-05 – Large Base, FLASH Head Attached



Also available with the FLASH Head attached to RoboSTAR itself.



050-0000-0094-00 E

Parts List

RoboSTAR / Flash Tester - 11" Stroke, Sm Base 5'

Rev	By	Date	Description
B	SMH	10-16-2002	Added 060-6000-0046-00
C	MDL	02-23-2004	Added 025-6000-0014-01 Sticker Assembly
D	KMP	12-12-2007	Update name to 1,000 lb with new servo drive. Item 2 was 25-0-0023-13, tem 5 was 60-1-0029-00
E	RRS	03-15-2012	Created new assembly and updated parts list

Item	Qty	Part Number	Rev	Part Name	PCB Location	Part Length
1	1	025-0000-0408-03		RoboStar 11 with small base w/ detached FLASH head		in.
2	1	060-1000-0066-01	A	User Manual - STAR and RoboSTAR		in.
3	1	060-2000-0013-00	A	Parts List - RoboSTAR 11" Stroke		in.
4	1	059-0000-0040-00	A	Shipping Crate - STAR / ROBOSTAR 11		in.
5	1	060-6000-0046-00	C	FLASH Tester, External Connector Interface Manual		in.
6	1	025-2000-0165-00	B	Schematic, Flash Robo-STAR 11-X000, Remote		in.
7	1	025-6000-0014-01	B	Sticker Assembly - RoboSTAR 11		in.
8	1	060-6000-0114-00		FLASH : System Image Creation Letter		in.

Approved by: 

Date: March 22, 2012



050-0000-0094-02

Parts List

RoboSTAR / Flash Tester - 11" Stroke, Sm Base 15'

Rev	By	Date	Description
	RRS	03-07-2012	

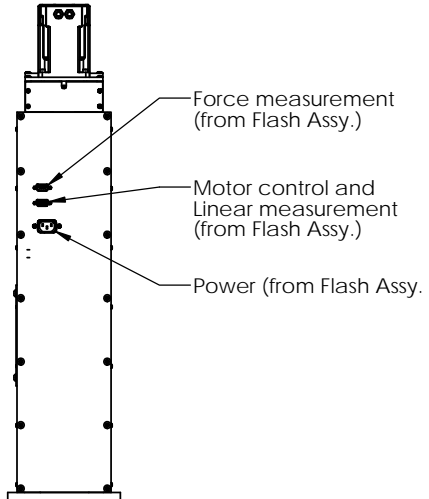
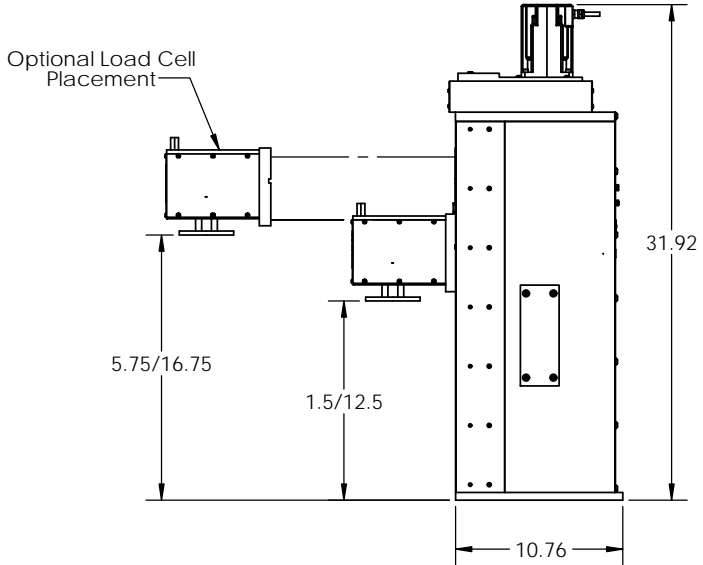
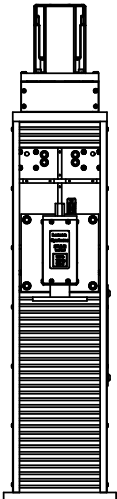
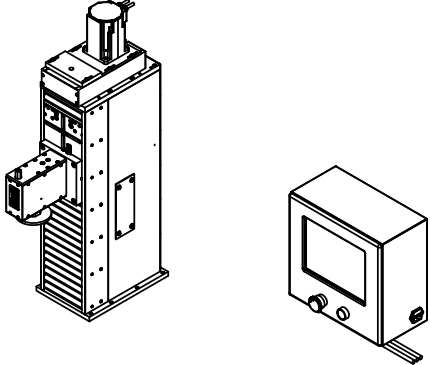
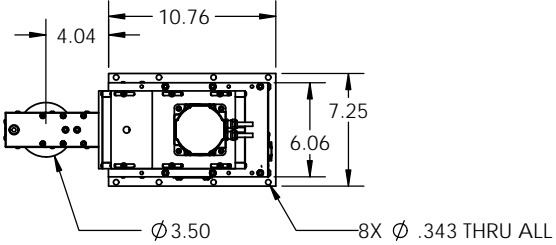
Item	Qty	Part Number	Rev	Part Name	PCB Location	Part Length
1	1	025-0000-0408-03		RoboStar 11 with small base w/ detached FLASH head		in.
2	1	060-1000-0066-01		User Manual-STAR and RoboSTAR		in.
3	1	060-2000-0013-00	A	Parts List - RoboSTAR 11" Stroke		in.
4	1	059-0000-0040-00		Shipping Crate - STAR / ROBOSTAR 11		in.
5	1	060-6000-0046-00	C	FLASH Tester, External Connector Interface Manual		in.
6	1	025-2000-0165-00	B	Schematic, Flash Robo-STAR 11-X000, Remote		in.
7	1	025-6000-0014-01	A	Sticker Assembly - RoboSTAR 11		in.

Approved by:

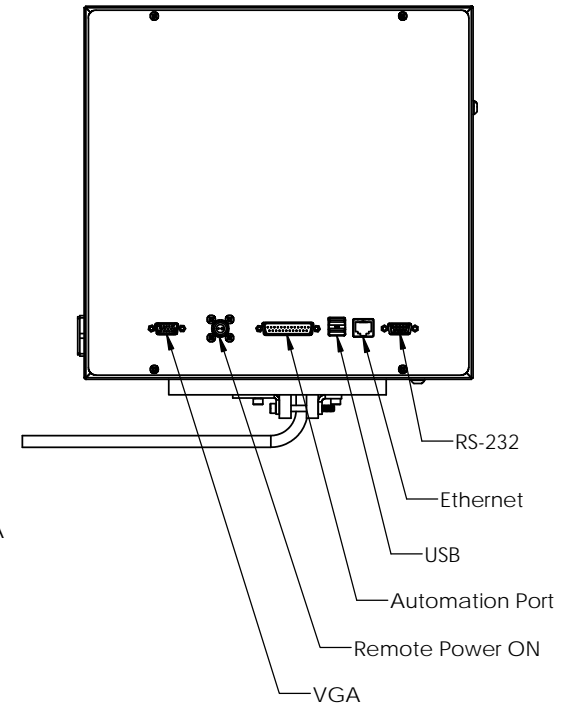
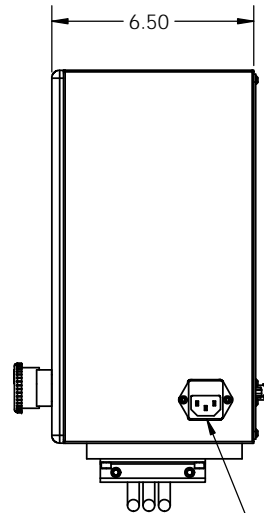
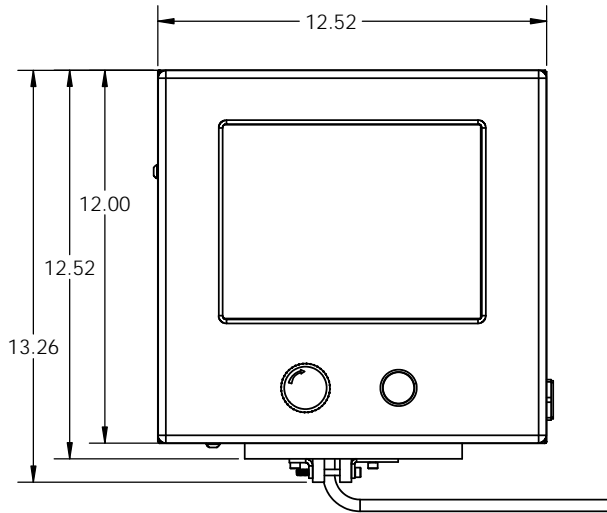
Date:

March 22, 2012

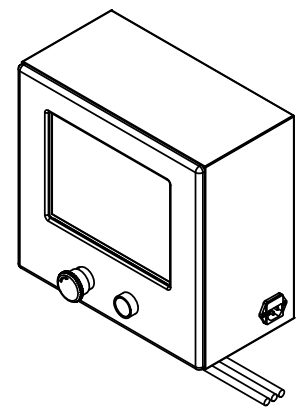
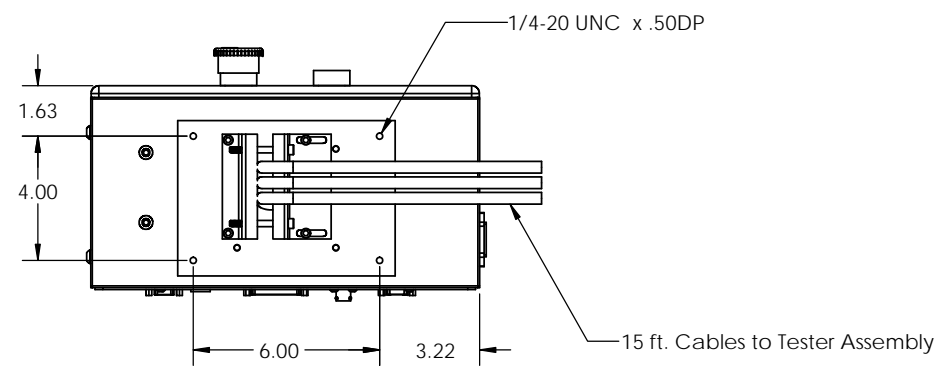
REV	DATE	DESCRIPTION	DRW	APP
		SEE SHEET 2		

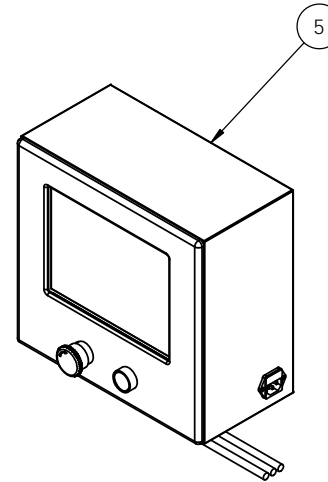
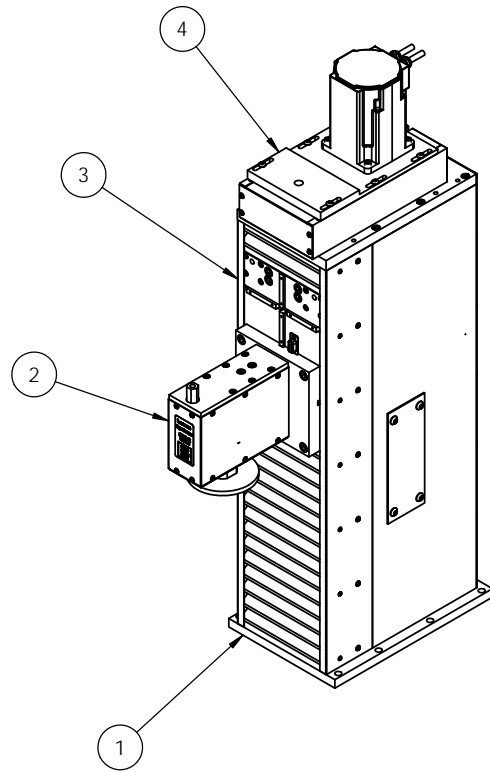


UNLESS OTHERWISE SPECIFIED DIMENSIONS ARE IN INCHES TOLERANCES ARE: .XX ± .01 .XXX ± .005	LS		LARSON SYSTEMS INC.	
			10073 Baltimore St. NE PH. 763-780-2131 Mpls., MN 55449 FAX. 763-780-2182	
MATERIAL See Parts List	APPROVALS	DATE	RoboStar Standard Base	
FINISH None	DRAWN RRS	03/12/12	B DWG. NO. 025-0000-0408-03	
HEAT TREAT None	APP.		SCALE: NONE SHEET 1 OF 4	



120 VAC 60 HZ 7A
Power In







025-0000-0408-03

Parts List

RoboStar 11 with small base w/ detached FLASH head

Rev	By	Date	Description
	RRS	03-07-2012	

Item	Qty	Part Number	Rev	Part Name	PCB Location	Part Length
1	1	025-0000-0876-00		Standard Tester Base Assembly		in.
2	Ref.	025-0000-0414-01	H	STAR Series Smart Load Cell - 2 lb (2" Ø Platform)		in.
3	1	025-0000-0408-01		RoboStar Basic Frame		in.
4	1	025-0000-0419-03	F	Standard Capacity 1000 lb Drive, STAR / RoboSTAR		in.
4	Ref	025-0000-0419-02	F	High Capacity Force, 3000 lb, STAR / RoboSTAR 240		in.
4	Ref	025-0000-0419-00	F	High Capacity 2000 lb Drive, STAR / RoboSTAR 240		in.
5	1	025-0000-0431-15		FLASH - Robostar remote head		in.

Approved by:

Date:

March 20, 2012

SEE ATTACHED 3 DRAWINGS



050-0000-0094-01

Parts List

RoboSTAR / Flash Tester - 11" Stroke, Lg Base 5'

Rev	By	Date	Description
	RRS	03-14-2012	

Item	Qty	Part Number	Rev	Part Name	PCB Location	Part Length
1	1	025-0000-0408-02		RoboStar 11 with Star Base w/ detached FLASH head		in.
2	1	060-1000-0066-01		User Manual-STAR and RoboSTAR		in.
3	1	060-2000-0013-00	A	Parts List - RoboSTAR 11" Stroke		in.
4	1	059-0000-0040-00		Shipping Crate - STAR / ROBOSTAR 11		in.
5	1	060-6000-0046-00	C	FLASH Tester, External Connector Interface Manual		in.
6	1	025-2000-0165-00	B	Schematic, Flash Robo-STAR 11-X000, Remote		in.
7	1	025-6000-0014-01	A	Sticker Assembly - RoboSTAR 11		in.

Approved by:

Date:

March 22, 2012



050-0000-0094-03

Parts List

RoboSTAR / Flash Tester - 11" Stroke, Lg Base 15'

Rev	By	Date	Description
	RRS	03-07-2012	

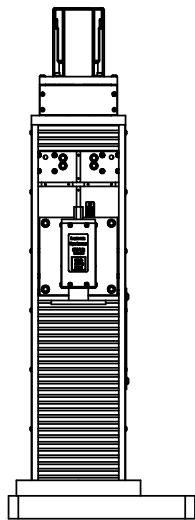
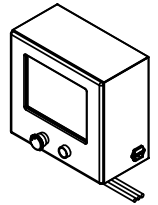
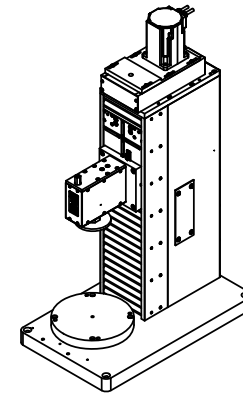
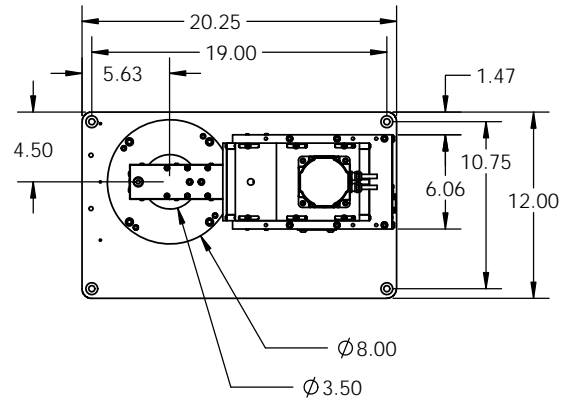
Item	Qty	Part Number	Rev	Part Name	PCB Location	Part Length
1	1	025-0000-0408-02		RoboStar 11 with Star Base w/ detached FLASH head		in.
2	1	060-1000-0066-01		User Manual-STAR and RoboSTAR		in.
3	1	060-2000-0013-00	A	Parts List - RoboSTAR 11" Stroke		in.
4	1	059-0000-0040-00		Shipping Crate - STAR / ROBOSTAR 11		in.
5	1	060-6000-0046-00	C	FLASH Tester, External Connector Interface Manual		in.
6	1	025-2000-0165-00	B	Schematic, Flash Robo-STAR 11-X000, Remote		in.
7	1	025-6000-0014-01	A	Sticker Assembly - RoboSTAR 11		in.

Approved by:

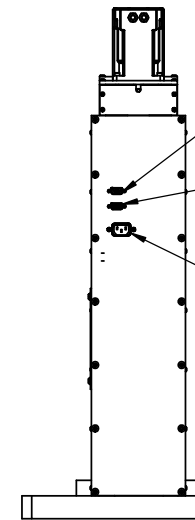
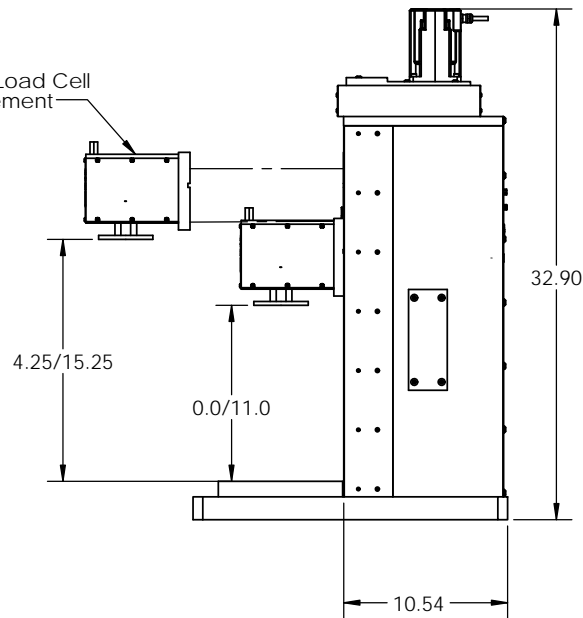
Date:

March 22, 2012

REV	DATE	DESCRIPTION	DRW	APP
		SEE SHEET 2		



Optional Load Cell Placement



Force measurement (from Flash Assy.)

Motor Control and Linear measurement (from Flash Assy.)

Power (from Flash Assy.)

UNLESS OTHERWISE SPECIFIED
DIMENSIONS ARE IN INCHES
TOLERANCES ARE:
.XX ± .01
.XXX ± .005



LARSON SYSTEMS INC.

10073 Baltimore St. NE PH. 763-780-2131
Mpls., MN 55449 FAX. 763-780-2182

MATERIAL See Parts List

APPROVALS DATE

FINISH None

DRAWN RRS 03/12/12

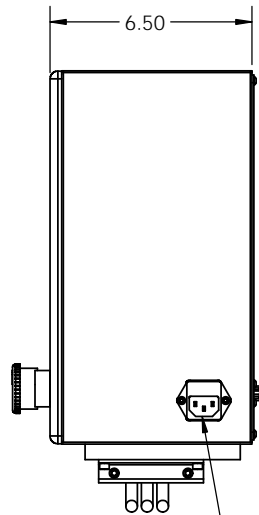
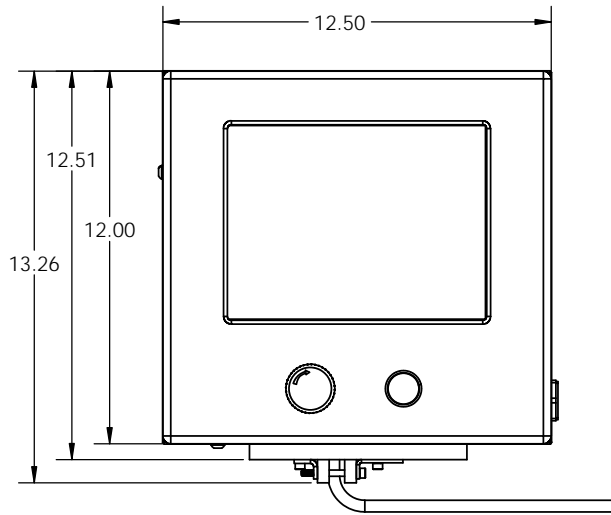
RoboStar 11 with Star Base

HEAT TREAT None

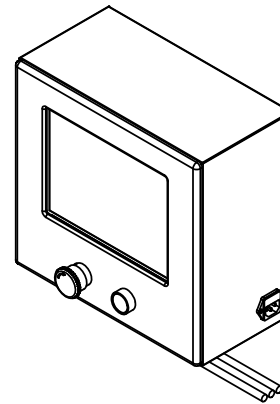
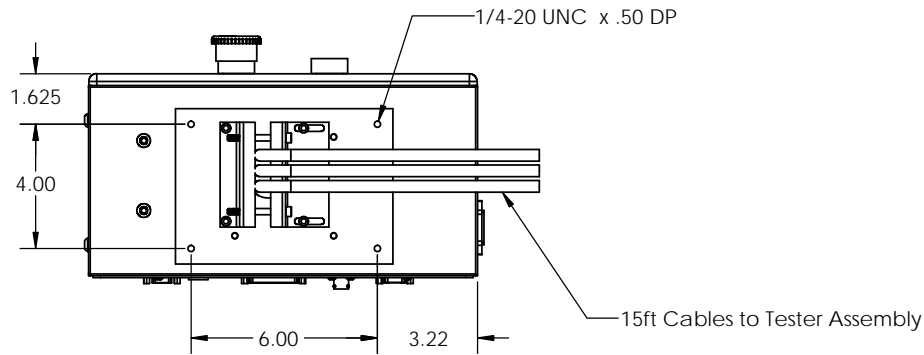
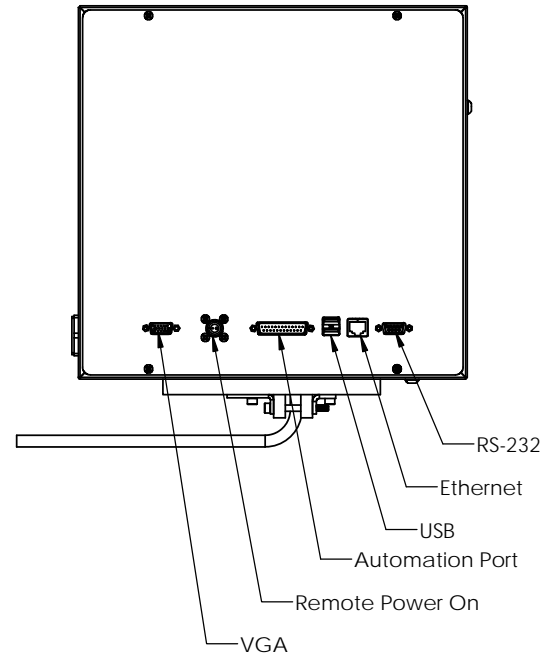
APP.

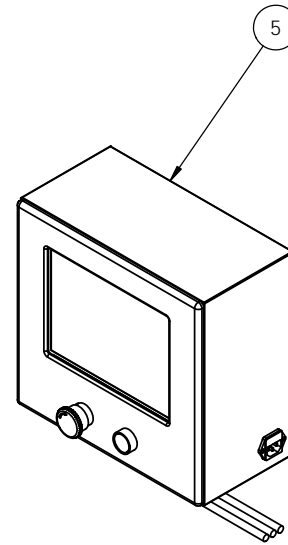
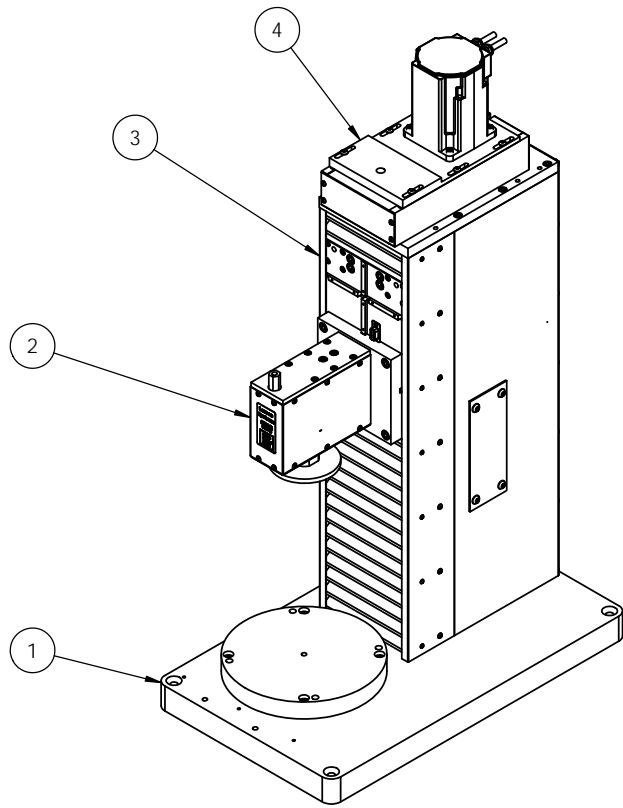
B DWG. NO. 025-0000-0408-02

SCALE: NONE SHEET 1 OF 4



120 VAC 60 HZ 7A
Power In







025-0000-0408-02

Parts List

RoboStar 11 with Star Base w/ detached FLASH head

Rev	By	Date	Description
	RRS	03-07-2012	

Item	Qty	Part Number	Rev	Part Name	PCB Location	Part Length
1	1	025-0000-0874-00		Star Base Assembly		in.
2	Ref.	025-0000-0414-01	H	STAR Series Smart Load Cell - 2 lb (2" Ø Platform)		in.
3	1	025-0000-0408-01		RoboStar Basic Frame		in.
4	1	025-0000-0419-00	F	High Capacity 2000 lb Drive, STAR / RoboSTAR 240		in.
4	Ref	025-0000-0419-02	F	High Capacity Force, 3000 lb, STAR / RoboSTAR 240		in.
4	Ref	025-0000-0419-03	F	Standard Capacity 1000 lb Drive, STAR / RoboSTAR		in.
5	1	025-0000-0431-15		FLASH - Robostar remote head		in.

Approved by:

Date:

March 20, 2012

SEE ATTACHED 3 DRAWINGS



050-0000-0094-04

Parts List

RoboSTAR / Flash Tester - 11" Stroke, Sm Base, Attch

Rev	By	Date	Description
	RRS		

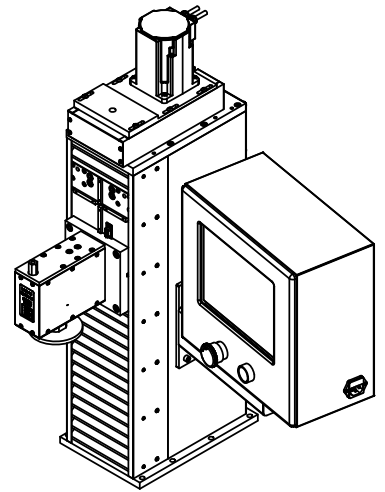
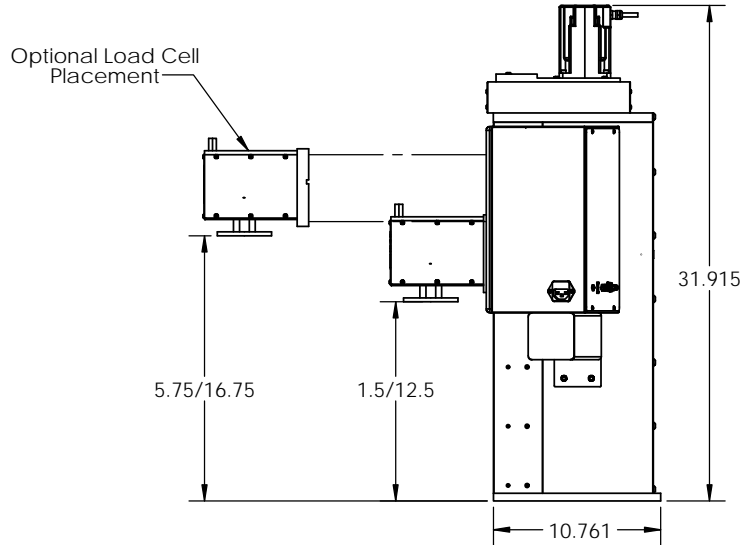
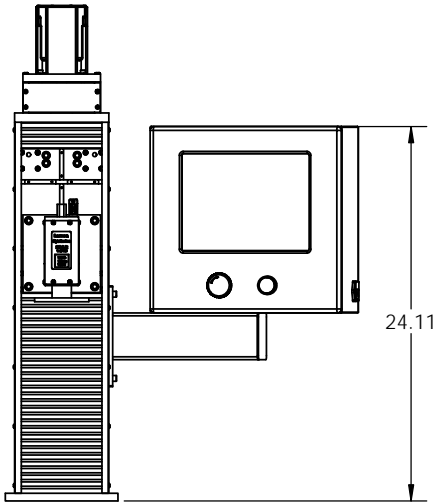
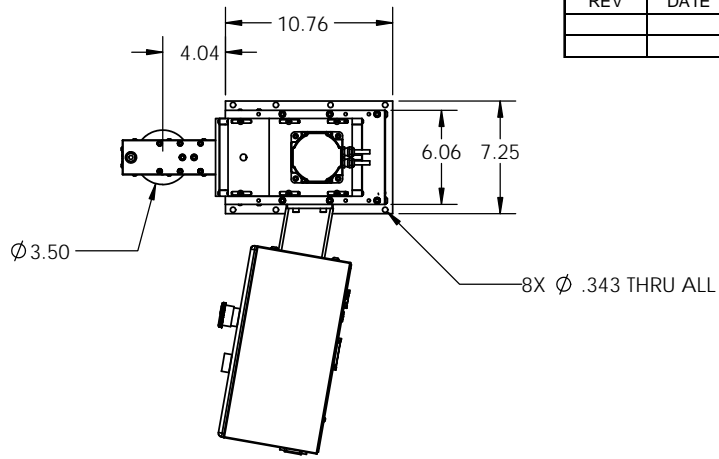
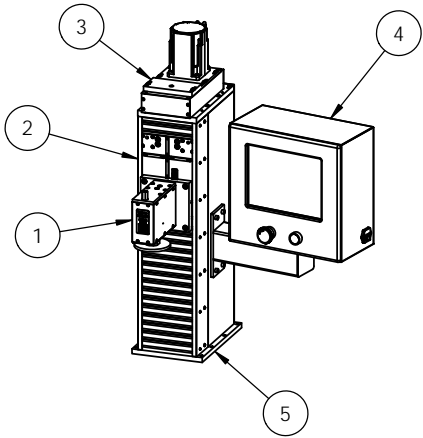
Item	Qty	Part Number	Rev	Part Name	PCB Location	Part Length
1	1	025-0000-0408-05		RoboStar 11 with small base w/ attached FLASH head		in.
2	1	060-1000-0066-01		User Manual-STAR and RoboSTAR		in.
3	1	060-2000-0013-00	A	Parts List - RoboSTAR 9" Stroke		in.
4	1	059-0000-0040-00		Shipping Crate - STAR / ROBOSTAR 11		in.
5	1	060-6000-0046-00	C	FLASH Tester, External Connector Interface Manual		in.
6	1	025-2000-0165-02	B	Schematic, Flash Robo-STAR 11-X000, Attached		in.
7	1	025-6000-0014-01	A	Sticker Assembly - RoboSTAR 11		in.

Approved by:

Date:

March 22, 2012

REV	DATE	DESCRIPTION	DRW	APP
		SEE SHEET 2		



UNLESS OTHERWISE SPECIFIED DIMENSIONS ARE IN INCHES TOLERANCES ARE: .XX ± .01 .XXX ± .005	LS		LARSON SYSTEMS INC.	
			10073 Baltimore St. NE PH. 763-780-2131 Mpls., MN 55449 FAX. 763-780-2182	
MATERIAL See Parts List	APPROVALS	DATE	Star 11 with small base w/ attached Flash head	
FINISH None	DRAWN RRS	03/13/12		
HEAT TREAT None	APP.		B	DWG. NO. 025-0000-0408-05
			SCALE: NONE	SHEET 1 OF 2



025-0000-0408-05

Parts List

RoboStar 11 with small base w/ attached FLASH head

Rev	By	Date	Description
	RRS	03-07-2012	

Item	Qty	Part Number	Rev	Part Name	PCB Location	Part Length
1	Ref.	025-0000-0414-01	H	STAR Series Smart Load Cell - 2 lb (2" Ø Platform)		in.
2	1	025-0000-0408-04		Star Basic Frame for Flash head		in.
3	1	025-0000-0419-00	F	High Capacity 2000 lb Drive, STAR / RoboSTAR 240		in.
3	Ref	025-0000-0419-02	F	High Capacity Force, 3000 lb, STAR / RoboSTAR 240		in.
3	Ref	025-0000-0419-03	F	Standard Capacity 1000 lb Drive, STAR / RoboSTAR		in.
4	1	025-0000-0431-13		FLASH - Robostar attached head		in.
5	1	025-0000-0876-00		Standard Tester Base Assembly		in.

Approved by:

Date:

March 22, 2012

SEE ATTACHED DRAWING



050-0000-0094-05

Parts List

RoboSTAR / Flash Tester - 11" Stroke, Lg Base, Attch

Rev	By	Date	Description
	RRS	03-15-2012	

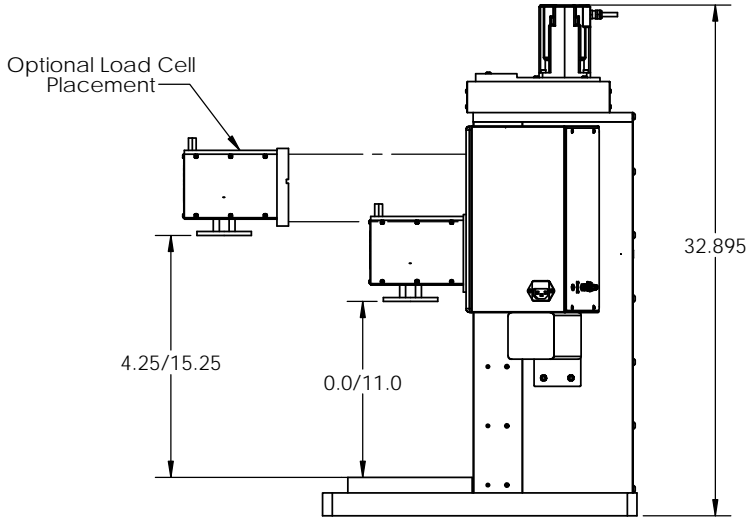
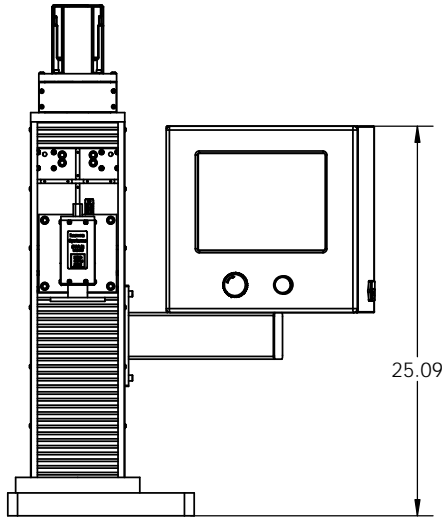
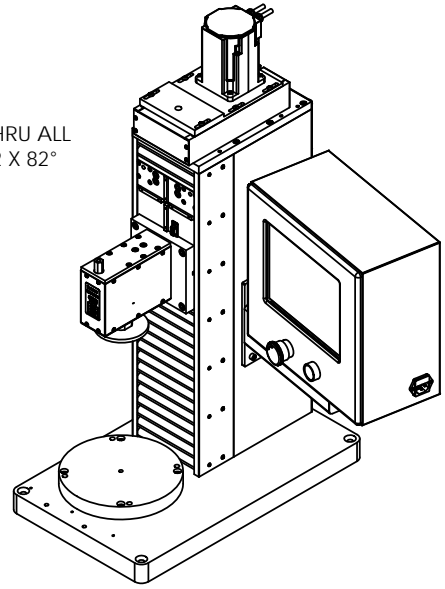
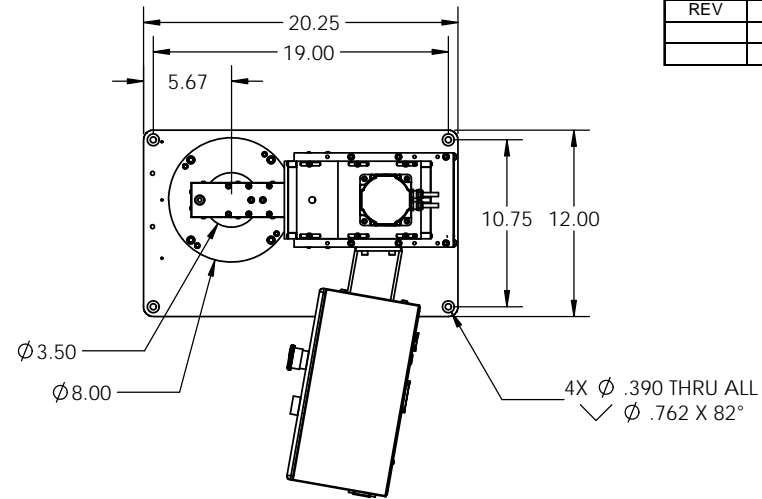
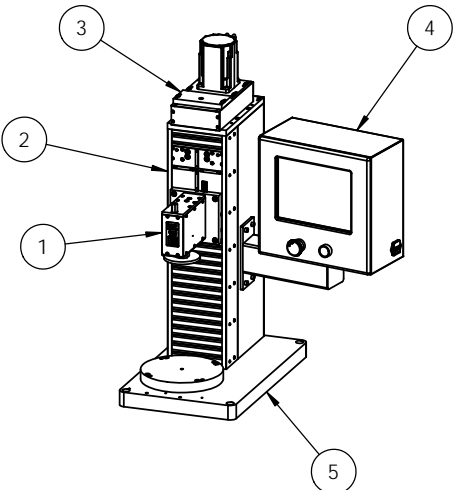
Item	Qty	Part Number	Rev	Part Name	PCB Location	Part Length
1	1	025-0000-0408-06		RoboStar 11 with Star Base w/ attached FLASH head		in.
2	1	060-1000-0066-01		User Manual-STAR and RoboSTAR		in.
3	1	060-2000-0013-00	A	Parts List - RoboSTAR 9" Stroke		in.
4	1	059-0000-0040-00		Shipping Crate - STAR / ROBOSTAR 11		in.
5	1	060-6000-0046-00	C	FLASH Tester, External Connector Interface Manual		in.
6	1	025-2000-0165-02	B	Schematic, Flash Robo-STAR 11-X000, Attached		in.
7	1	025-6000-0014-01	A	Sticker Assembly - RoboSTAR 11		in.

Approved by:

Date:

March 22, 2012

REV	DATE	DESCRIPTION	DRW	APP
		SEE SHEET 2		



UNLESS OTHERWISE SPECIFIED DIMENSIONS ARE IN INCHES TOLERANCES ARE: .XX ± .01 .XXX ± .005		LS M	LARSON SYSTEMS INC. 10073 Baltimore St. NE PH. 763-780-2131 Mpls., MN 55449 FAX. 763-780-2182	
MATERIAL See Parts List	APPROVALS		DATE	Star 11 with large base w/ attached Flash head
FINISH None	DRAWN RRS		03/13/12	B DWG. NO. 025-0000-0408-06
HEAT TREAT None	APP.			SCALE: NONE



025-0000-0408-06

Parts List

RoboStar 11 with Star Base w/ attached FLASH head

Rev	By	Date	Description
	RRS	03-07-2012	

Item	Qty	Part Number	Rev	Part Name	PCB Location	Part Length
1	Ref.	025-0000-0414-01	H	STAR Series Smart Load Cell - 2 lb (2" Ø Platform)		in.
2	1	025-0000-0408-04		Star Basic Frame for Flash head		in.
3	1	025-0000-0419-00	F	High Capacity 2000 lb Drive, STAR / RoboSTAR 240		in.
3	Ref	025-0000-0419-02	F	High Capacity Force, 3000 lb, STAR / RoboSTAR 240		in.
3	Ref	025-0000-0419-03	F	Standard Capacity 1000 lb Drive, STAR / RoboSTAR		in.
4	1	025-0000-0431-13		FLASH - Robostar attached head		in.
5	1	025-0000-0874-00		Star Base Assembly		in.

Approved by:

Date:

March 22, 2012

SEE ATTACHED DRAWING



Larson Systems Inc.
10073 Baltimore Street NE
Minneapolis, MN 55449-4425
www.larsonsystems.com

763-780-2131
1-877-780-2131
Fax: 763-780-2182
info@larsonsystems.com

